

C·R·T·S


SERVICE MANUAL

COVERING

Regentone

“ AUDITION ”

RECORD PLAYER

A DIVISION OF **STC**

Issued DECEMBER 1963

COMBINED RADIO AND TELEVISION SERVICE LTD

REGENT WORKS, SIDCUP, KENT. Tel: FOotscray 3333

SERVICING ORGANISATION FOR K.B. REGENTONE. R.G.D.

ALSO PROVINCIAL DEPOT AT
87 McALPINE STREET,
GLASGOW
CENtral 1779



KB Museum **Service Data** org.uk

for

“AUDITION”

SPECIFICATION

The Audition is a two-valve transportable record player suitable for A.C. mains operation. A B.S.R. four speed record changer, type UA14 is fitted.

VOLTAGE RATING

200–250 volts, 50 c/s.

POWER CONSUMPTION

40 watts.

CONTROLS

Volume, Treble, Bass, Off/On.

VALVE COMPLEMENT

Mullard — UY85 Rectifier.
Mullard — UCL82 Audio Output.

DIMENSIONS

Width: 15½" (39·37 cms)
Height: 8½" (21·50 cms)
Depth: 18¼" (46·35 cms)

WEIGHT

20 lbs. (9·07 Kgs)

The output from the pick-up is coupled, via the bass and treble network, to the volume control and then to the grid of the triode section of UCL82. The signal is then R-C coupled to the grid of the pentode output stage.

In parallel with the sound output primary L1 are the fixed tone control components C6 and R11.

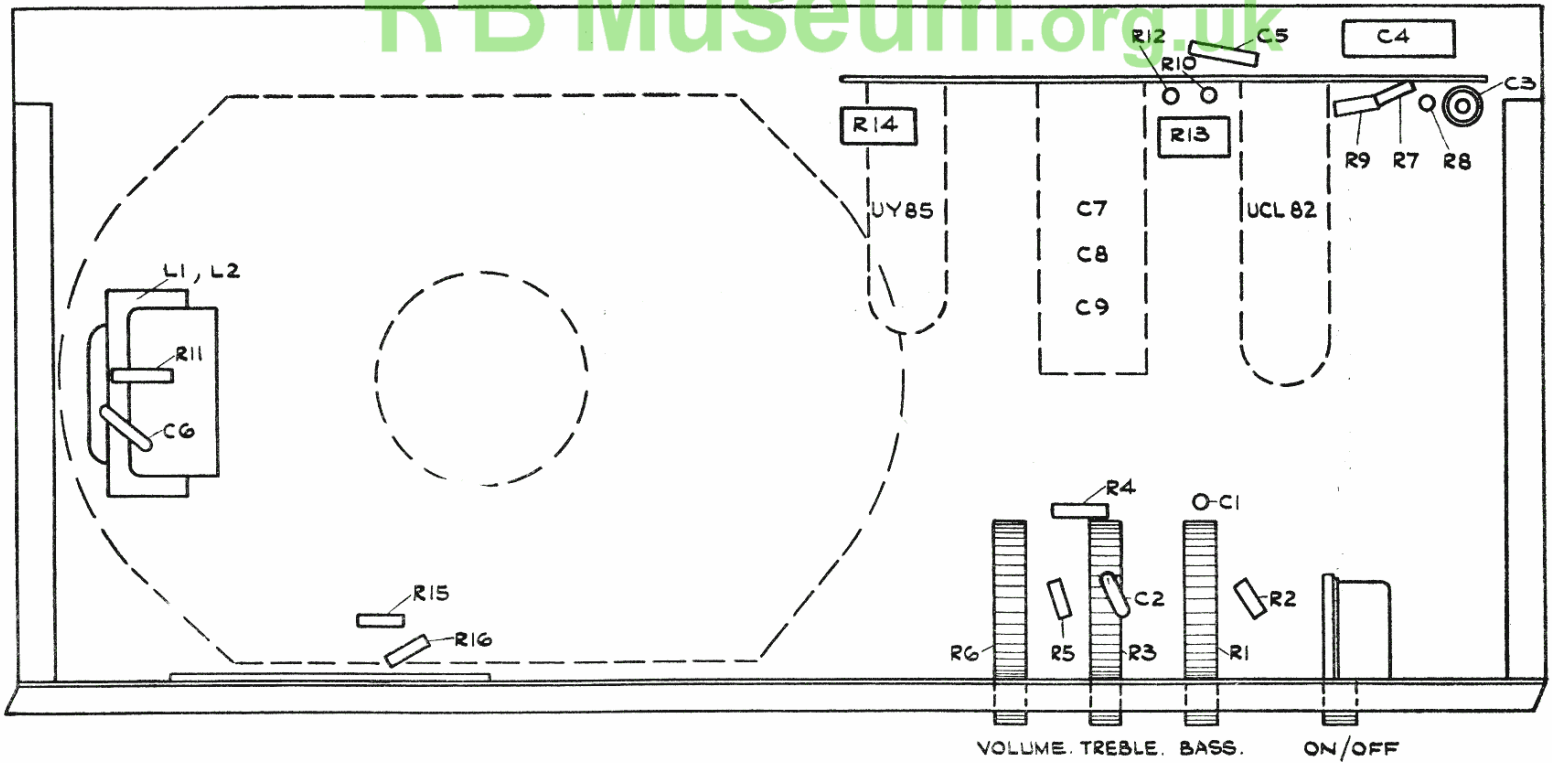
A tap is provided from the secondary of the transformer to provide heater voltage for the valves.

The H.T. supply is from a conventional half-wave rectifier with resistance-capacitance smoothing.

Sockets are provided for plug-in leads from a tape recorder or extension loudspeaker, microphone and guitar.

REMOVAL OF CHASSIS AND MOTOR BOARD FROM CABINET.

1. Remove two screws, one from either side of the cabinet.
2. Remove the four screws holding the motor board in position.
3. Remove chassis from cabinet by lowering it forward.
4. Remove motor board by lifting at left-hand edge, and withdraw from cabinet.



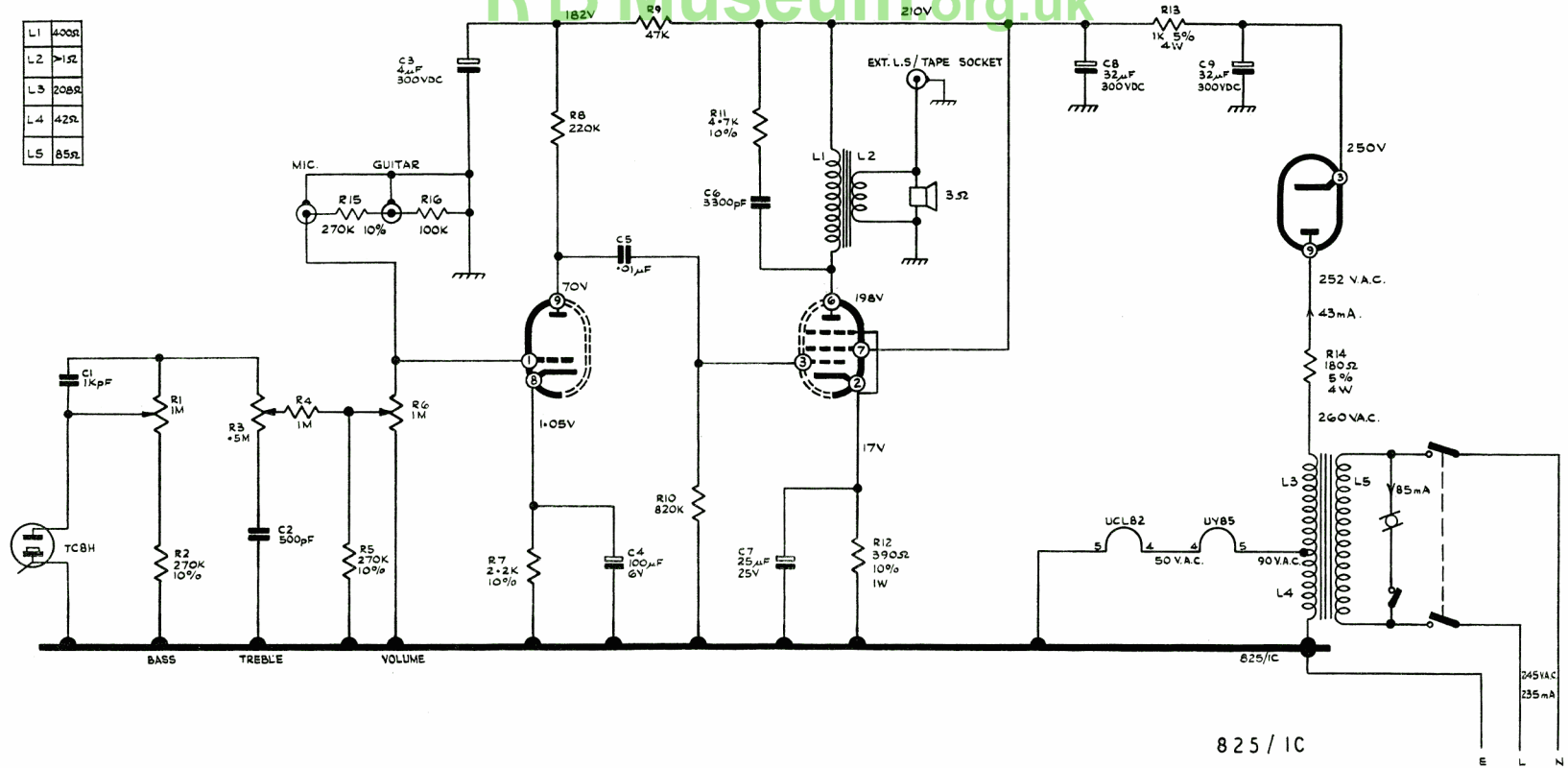
CHASSIS VIEW

UCL82

UY85

KB Museum.org.uk

L1	400R
L2	>15R
L3	208R
L4	42R
L5	85R



825 / IC

E L N

COMPONENT	CIRCUIT REF.	PART NO.
Cabinet		825/220
POTENTIOMETERS		
1 M ohm (Volume)	R6	9/227
500 K ohm (Treble)	R3	9/228
1 M ohm (Bass)	R1	9/229
RESISTORS		
1 K ohm 5% 4W	R13	R102 EKL
180 ohm 5% 4W	R14	R181 EKL
On/Off Switch		13/287
CAPACITORS		
25 μ F 25v. Elect.	C7	} KEM.57
32 μ F 300v. Elect.	C8	
32 μ F 300v.	C9	
100 μ F. 6v. Elect.	C4	KEM.22
4 μ F. 300v. Elect.	C3	KEM.176A
Transformer: Mains	L3, L4, L5	39/S1/34
Sound Output:	L1, L2	39/AO/33
Loudspeaker 8" x 5" Elliptical		11/135
B.S.R. UA.14 M Grey		37/26