

CRTS

ADDENDUM SHEET TO G.C.2

SERVICE MANUAL

RGD RG231

RG231



Issued April 1966

COMBINED RADIO AND TELEVISION SERVICE LTD

REGENT WORKS, SIDCUP, KENT. Tel: FOOTscray 3333

SERVICING ORGANISATION FOR KB · RGD

SCOTTISH DEPOT AT
32 MILTON ROAD
EAST KILBRIDE
GLASGOW

EAST KILBRIDE 25101

Dimensions :

Height —	26"
Width —	54"
Depth —	17"
Weight —	100 lbs.

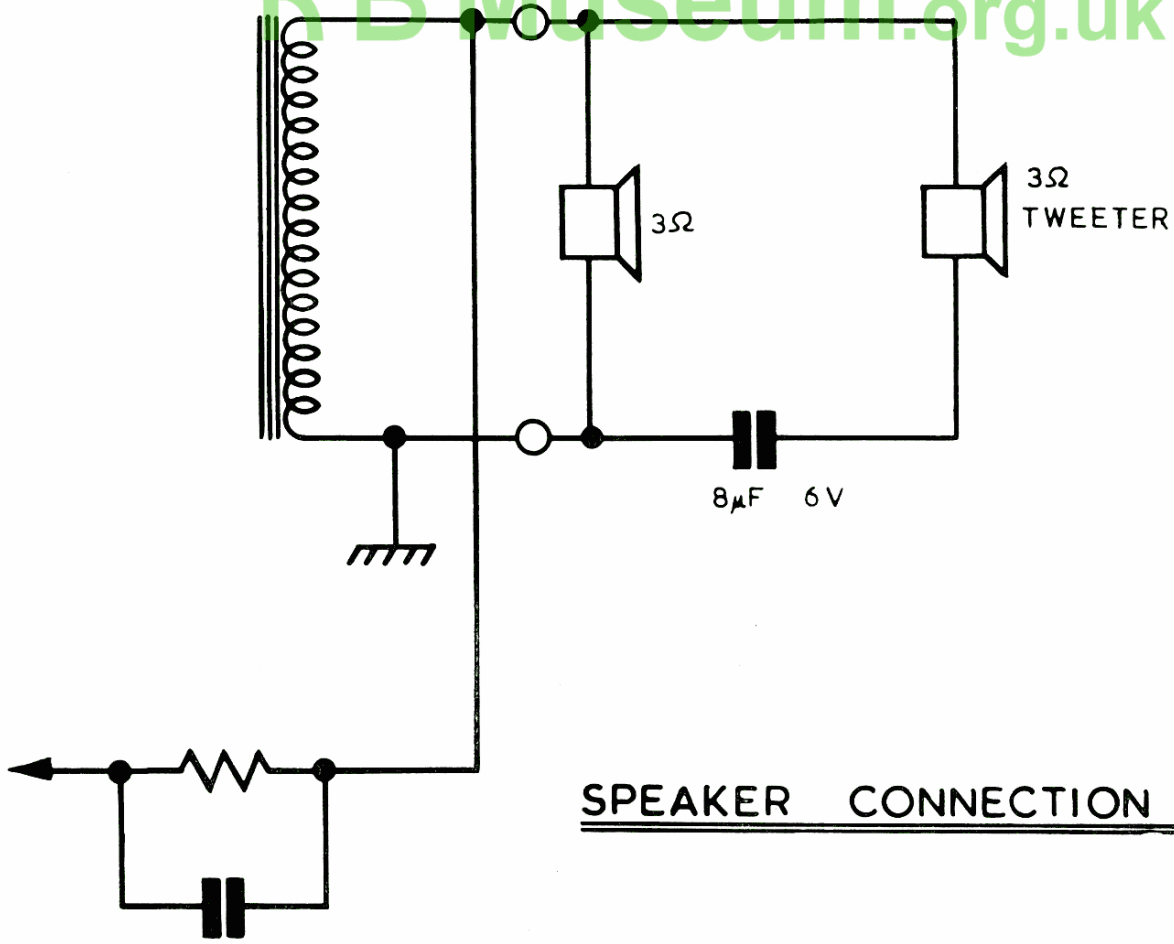
DESCRIPTION	PART/LOCATION No.
Cabinet	1204/220/21974
Cabinet Back	34/165/27362
Badge	21/118/13415
Knobs, 4 off	983/60/4/01766
Scale	44/57/11378
Pointer	13/284/11289
Speakers, 2 off (Impedance 3 ohms, 10" x 6")	11/121/03135
Tweeters, 2 off (Impedance 3 ohms, Dia. 4")	11/152/03149
8 Mfd 6 volt, Reversible capacitor	KEM 168/S/08483
Record Changer, BSR UA15	37/35/1/19708
Cartridge, BSR C1	C1/19709
Stylus, Turnover type	ST3/19710
Plug, 3 pin (Gram Input)	13/253/25193
Plug, 3 pin (Gram Mains)	13/273/25285
Plug, 2 pin, Brown (Speaker)	13/201/1/25268
Plug, 2 pin, red (Speaker)	13/201/2/25269
Plug, 2 pin, black (FM Aerial)	13/201/25275
Plug, 5 pin	13/319/25265
Socket, Tape 5 pin	13/288/SKT/25325
Rear Panel	13/288/1/15338

Chassis Removal Instructions :

Pull off the knobs. Remove the cabinet back cover. Remove the motor mains feed plug, FM aerial plug, external aerial and earth plugs, tape input plug, cartridge input plug and speaker plugs from their respective sockets on the chassis. Unclear the mains cable. Remove the six chassis retaining screws and lift the chassis from the rear of the cabinet.

Record Changer Unit Removal :

Remove the cartridge input plug from its socket. Unclear the motor tap lead from the front of the cabinet. Remove the motor mains feed from the terminal block. Release the transit screw clips and lift the changer unit clear.



SPEAKER CONNECTION