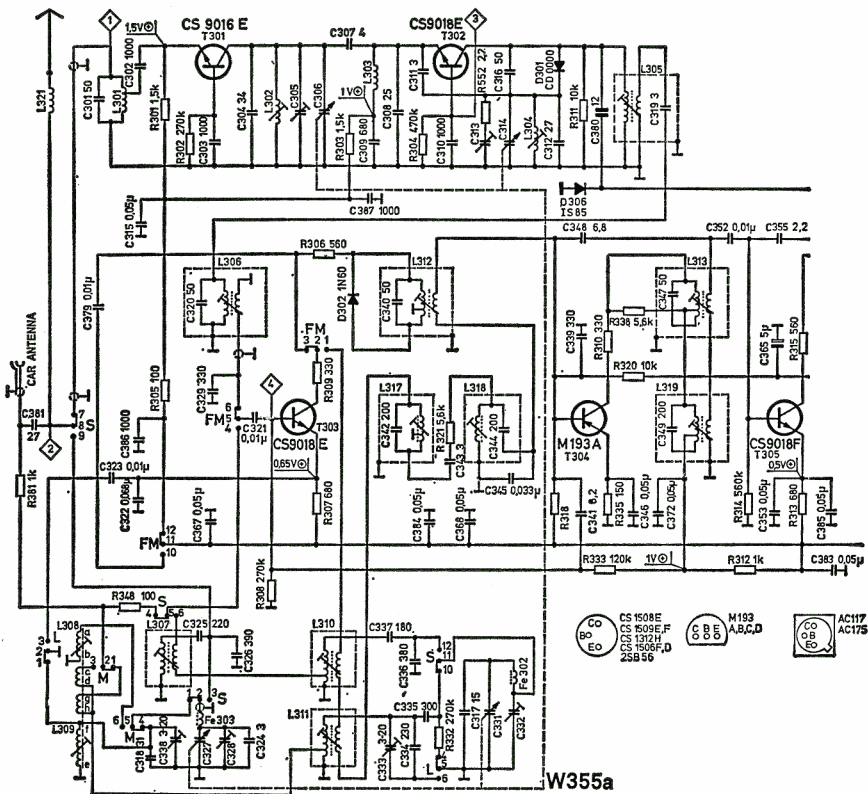


**General Description:** A portable transistor radio for mains or battery operation covering, Long, Medium, Short and V.H.F. wavebands. Sockets are provided for the connection of an external earphone and tape recorder.

709

RADIO SERVICING



(W355a) CIRCUIT DIAGRAM—MODEL R200 (Part)

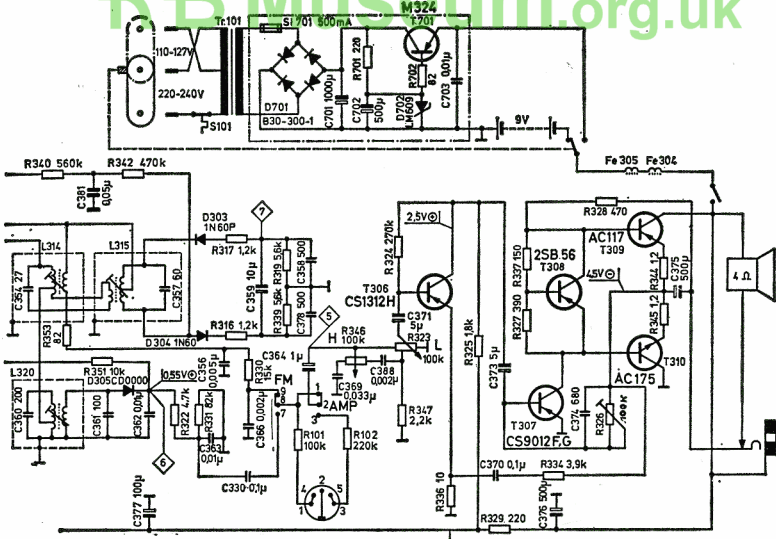
**Wavebands:** L.W. 145–260kHz; M.W. 525–1605kHz; S.W. 5.9–6.35MHz; V.H.F. 87.5–104MHz.

**Mains Supply:** 110–127, 220–240 volts, A.C.

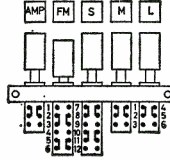
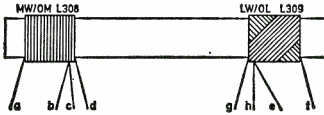
**Battery:** 9 volts.

**Loudspeaker:** 4 ohms impedance.

**Dial Cord Stringing:** Rotate the tuning capacitor fully clockwise. Hook the cord with a loop on to the drive drum (1) at Point A. Pass the cord through the notch and after a 1/4 turn on (1) lead it over (2) up to (3). After three turns on (3) lead the cord around (4), (5) and (6). After a 3/4 turn on (1) pass the cord through the notch and hook it on with the spring at point B.



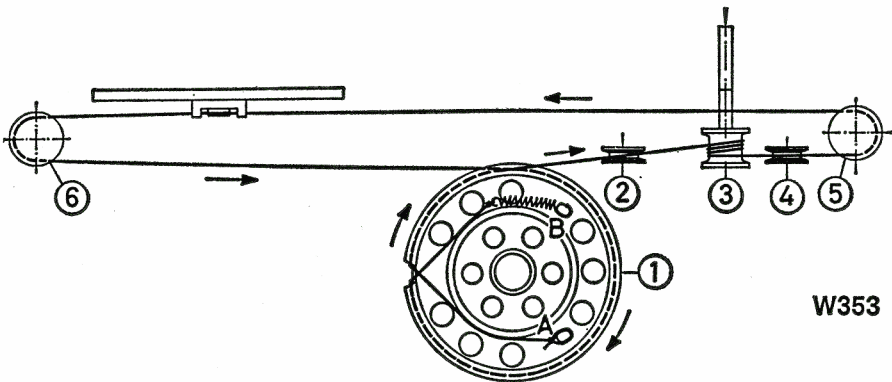
SWITCH CONTACTS SHOWN  
 IN FM POSITION



\* R318  
 FÜR M 193A R318 = 180k  
 FOR M 193B R318 = 220k  
 M 193C R318 = 270k  
 M 193D R318 = 330k

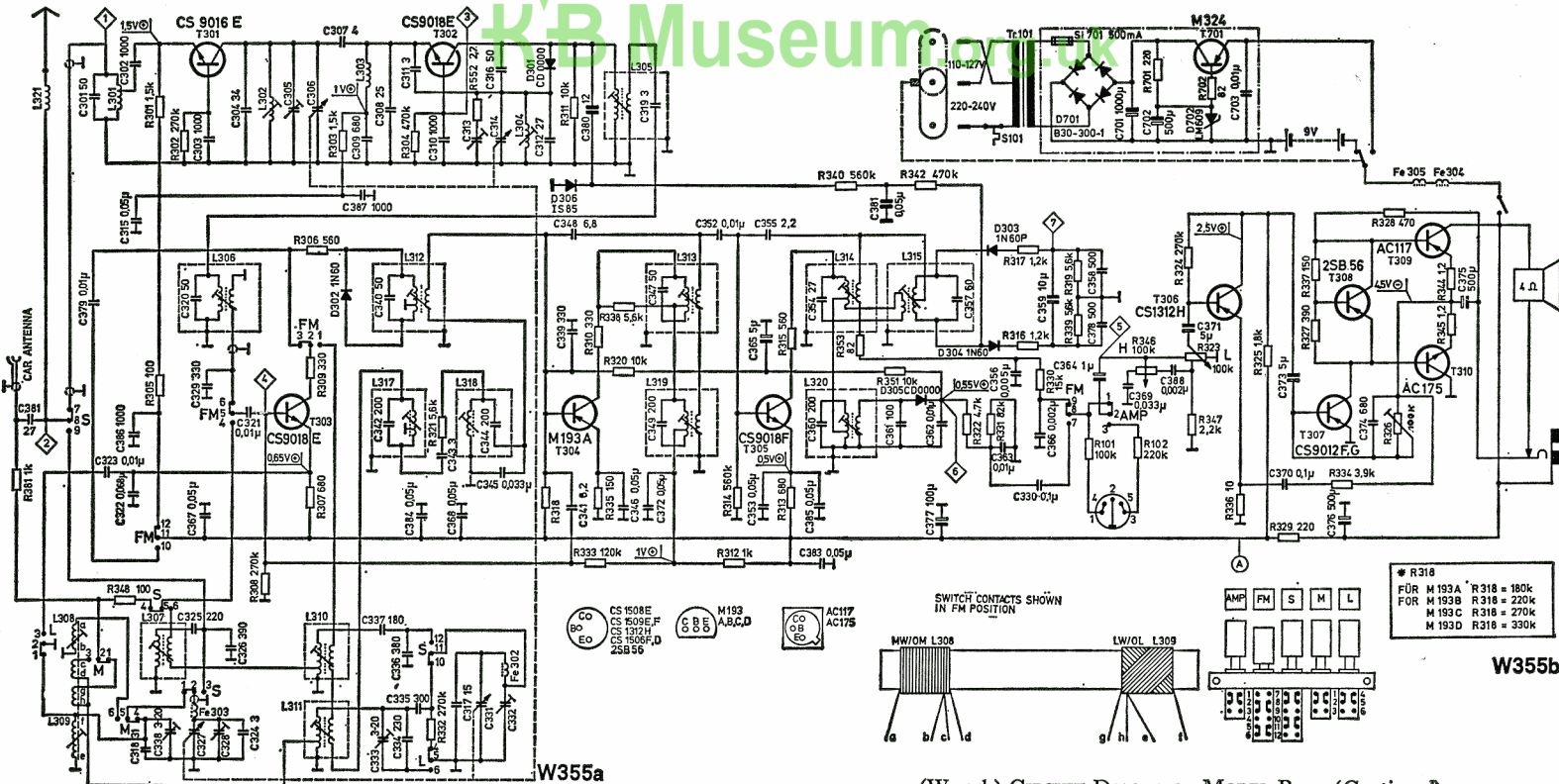
W355b

(W355b) CIRCUIT DIAGRAM—MODEL R200 (Continued)



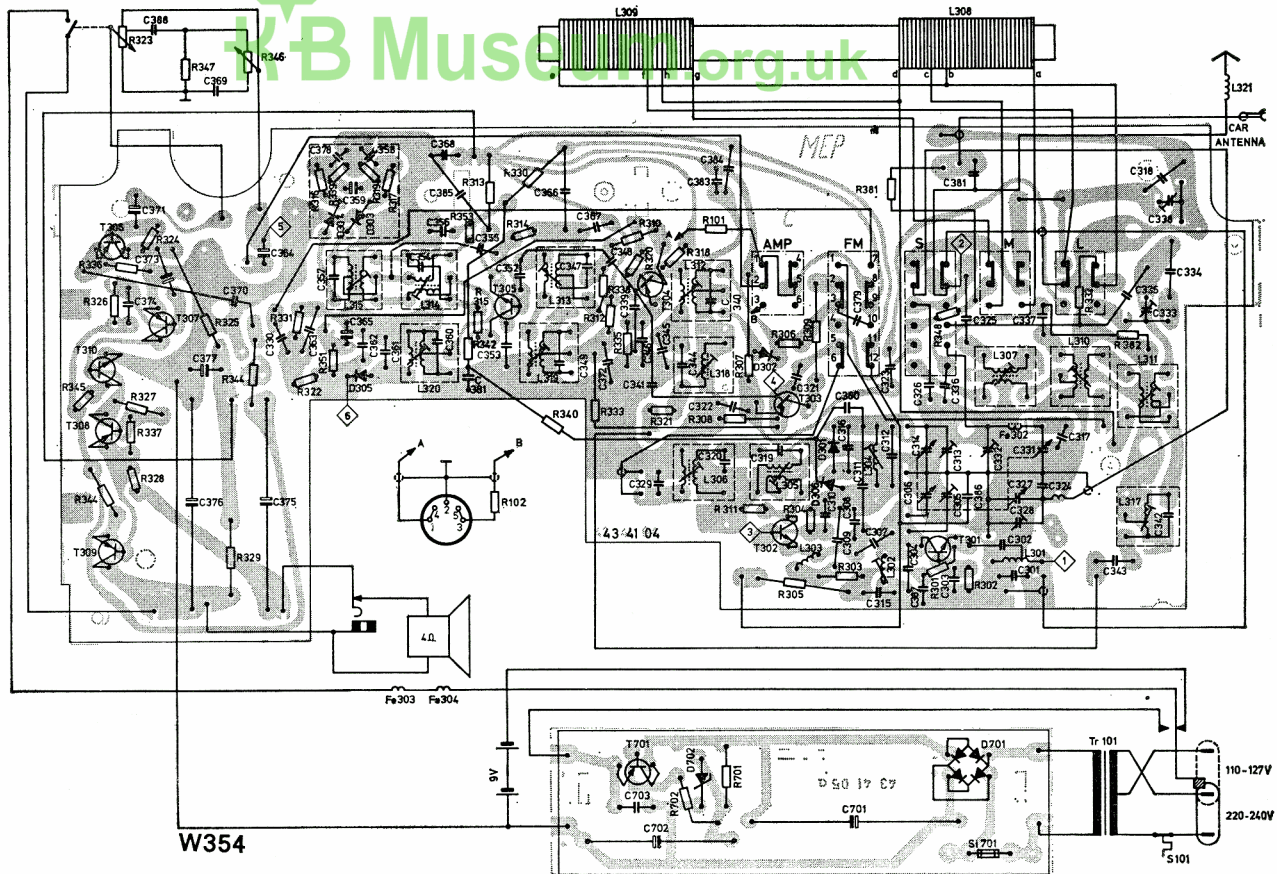
W353

(W353) DRIVE CORD—MODEL R200



(W355a) CIRCUIT DIAGRAM—MODEL R200 (Part)

(W355b) CIRCUIT DIAGRAM—MODEL R200 (Continued)



(W354) COMPONENT LAYOUT—MODEL R200

W354

110-127V  
220-240V