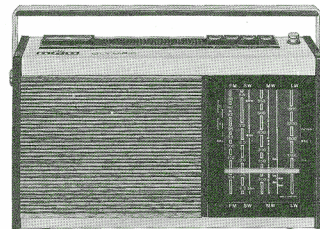


Type No. 5213 07 41



MODEL R 175

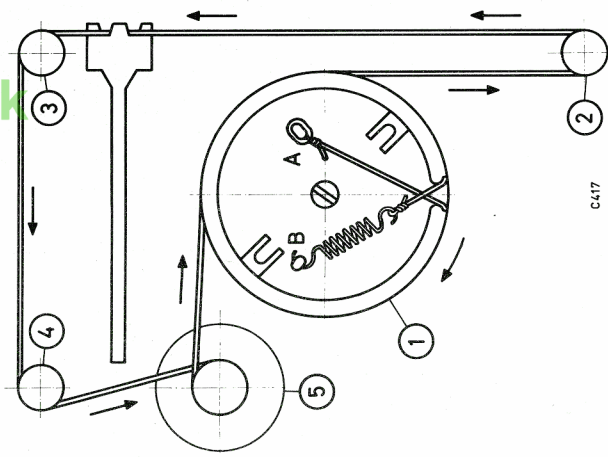
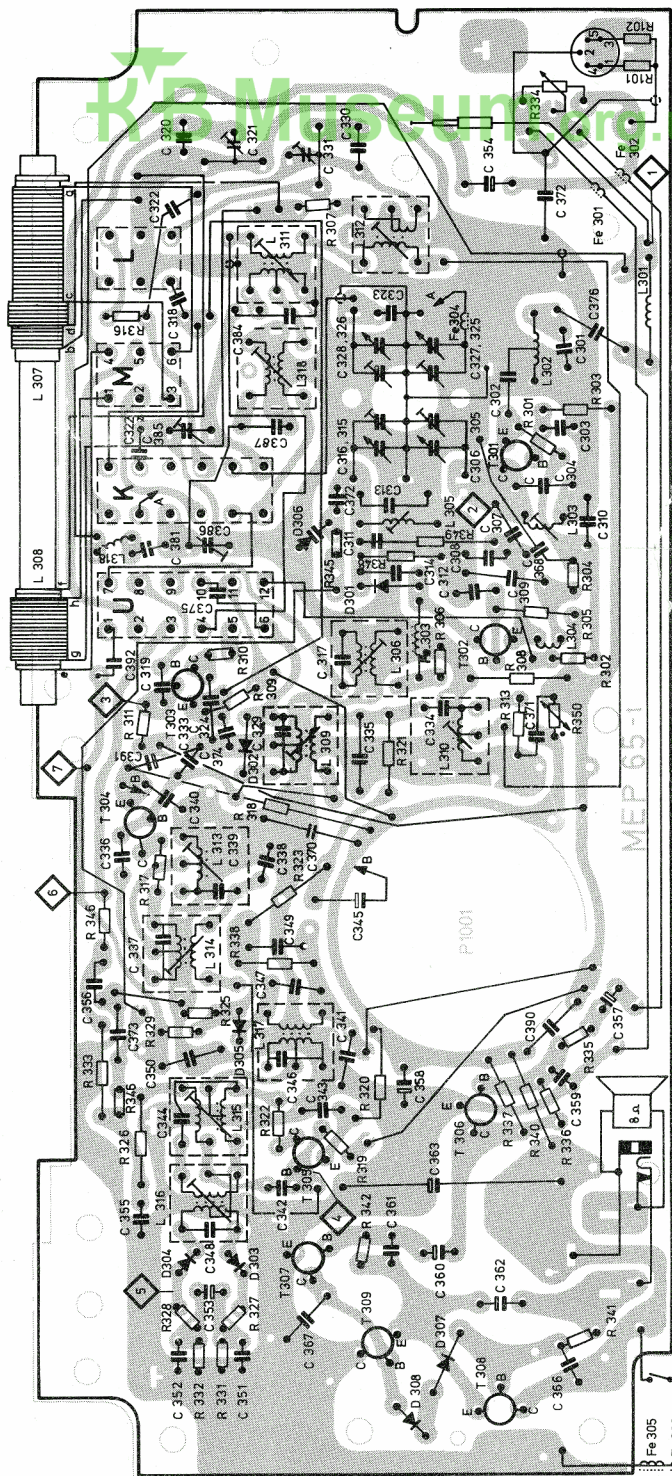
(AF 4006)

Technical Specifications

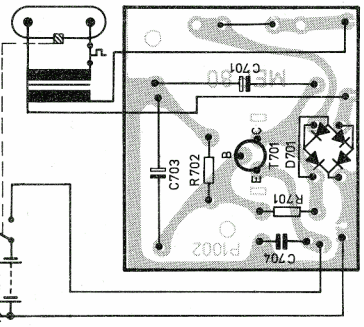
Mains voltage 240 V
 Battery voltage 9 V (6 x 1.5; IEC R 6)
 Circuits FM = 8, AM = 5
 Transistors 10
 Diodes 9
 IF AM = 470 kHz; FM = 10.7 MHz

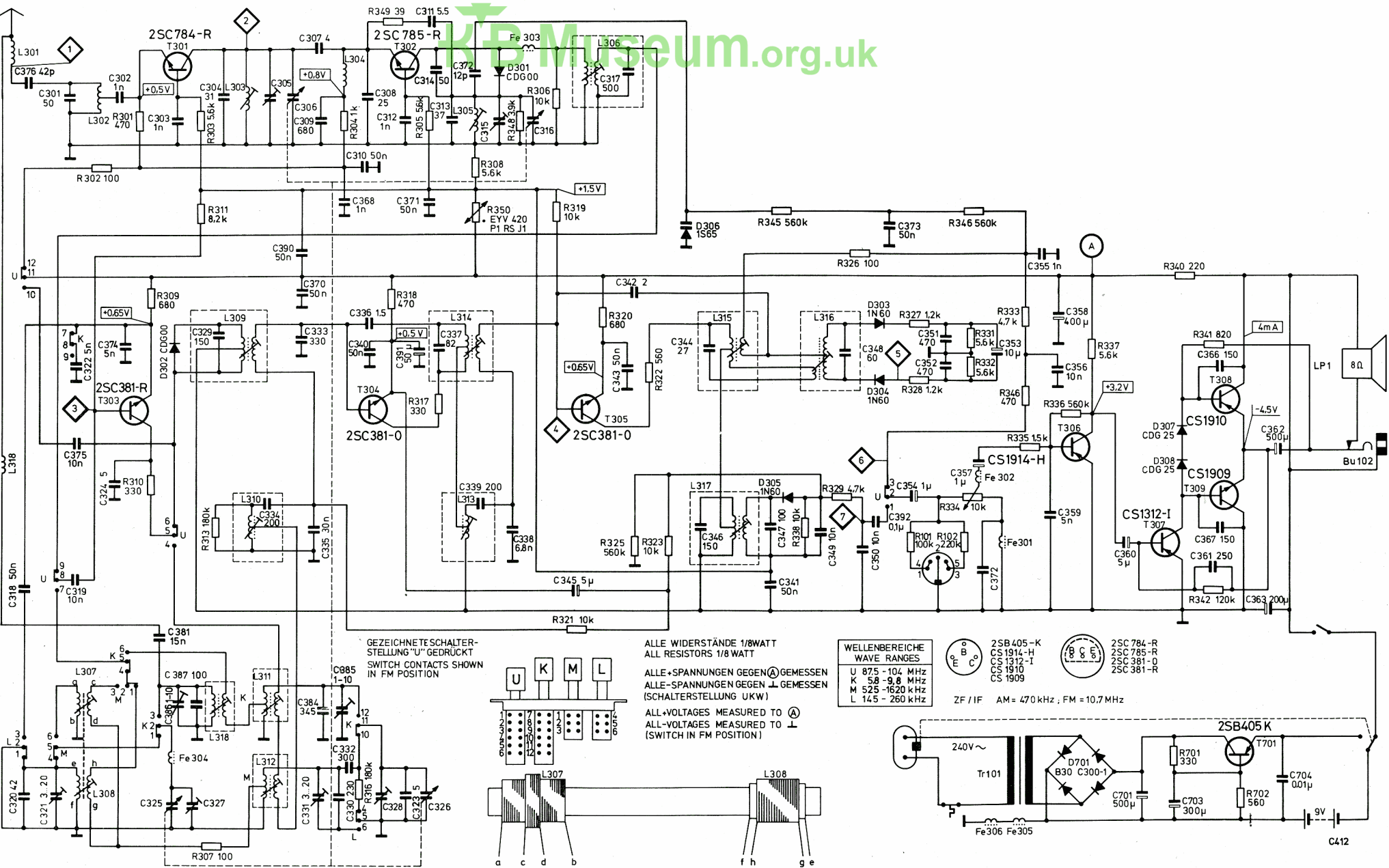
Wave ranges MW 525 - 1620 kHz 572 - 185 m
 FM 87.5 - 104 MHz 3.42 - 2.88 m
 SW 5.8 - 9.8 MHz 51.7 - 30.7 m
 LW 145 - 260 kHz 2070 - 1154 m

Power output ca. 600 mW
 Loudspeaker 80 x 120 mm perm. dyn. 8 Ohm
 Dimensions Width 250 mm; Height 135 mm; Depth 60 mm;
 Weight 1.2 kg



Dial drive
 Hook the dial cord with the loop on to the drive drum ① at point "A" (with notch at bottom). Lead the cord through the cord around the pulleys ②, ③, ④. After 2 1/2 turns clockwise around the drive spindle ⑤, lead the cord back to the drive drum ① and after 1/2 turn pass the cord through the notch and hook it on with the spring at "B". Fit the dial pointer on the dial cord at the upper stop. Mount the coupling piece on the capacitor shaft (with tuning capacitor in extreme anti-clockwise position) so that it engages with the drive drum (approx. 45°).





GEZEICHNETES SCHALTERSTELLUNG "U" GEDRÜCKT
 SWITCH CONTACTS SHOWN IN FM POSITION

ALLE WIDERSTÄNDE 1/8WATT
 ALL RESISTORS 1/8 WATT

ALLE + SPANNUNGEN GEGEN ⊕ GEMESSEN
 ALLE - SPANNUNGEN GEGEN ⊖ GEMESSEN
 (SCHALTERSTELLUNG UKW)

ALL-VOLTAGES MEASURED TO ⊕
 ALL-VOLTAGES MEASURED TO ⊖
 (SWITCH IN FM POSITION)

WELLENBEREICHE WAVE RANGES	⊕	⊖	⊕	⊖
U 87.5 - 104 MHz	⊕	⊖	⊕	⊖
K 5.8 - 9.8 MHz	⊕	⊖	⊕	⊖
M 525 - 1620 kHz	⊕	⊖	⊕	⊖
L 14.5 - 260 kHz	⊕	⊖	⊕	⊖

- 2SB405-K
- CS1914-H
- CS1312-I
- CS1910
- CS1909
- 2SC784-R
- 2SC785-R
- 2SC381-0
- 2SC381-R

ZF / IF AM = 470 kHz ; FM = 10.7 MHz

