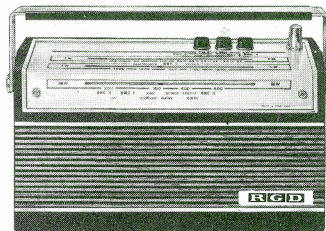




MODEL R 160

Type 5213 07 51



Technical Data

**Battery voltage** 9 V - (6 x 1.5 V; IEC R 6)  
**Circuits** FM = 8, AM = 5  
**Transistors** 10  
**Diodes** 7

Wave bands

MW 525 - 1605 kHz 572 - 187 m  
 FM 87.5 - 104 MHz 3.42 - 2.88 m  
 LW 145 - 260 kHz 2070 - 1164 m

Output

ca. 600 mW

Loudspeaker

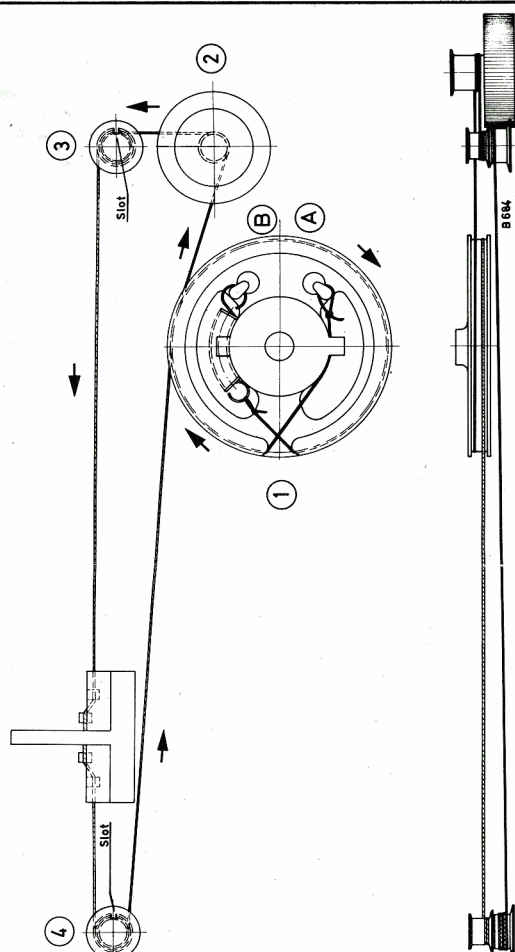
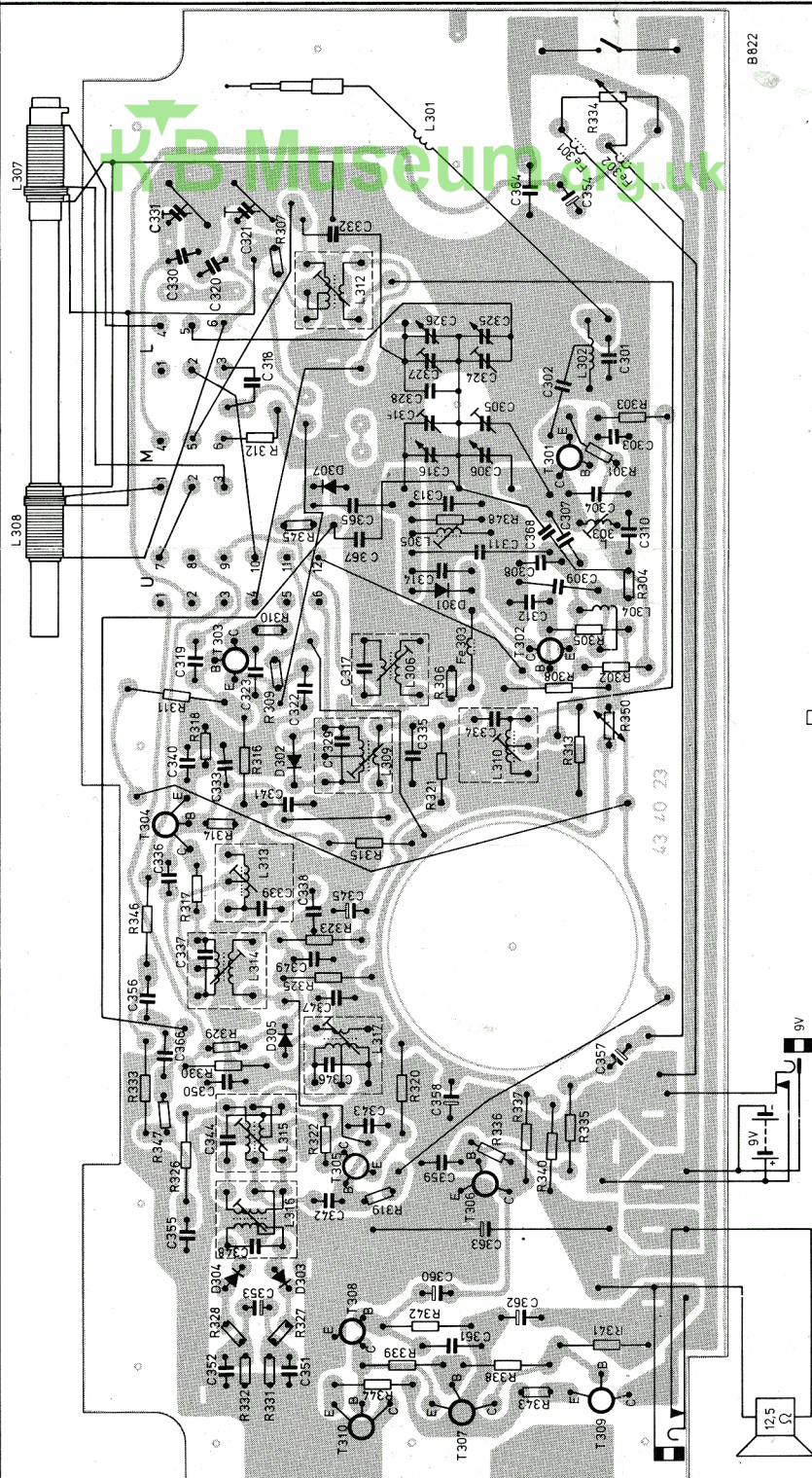
77 x 128 mm perm. dyn. 12.5 Ohms

Weight

0.9 kg

Cabinet dimensions

width 220 mm, height 140 mm, depth 55 mm



Dial Cord Stringing

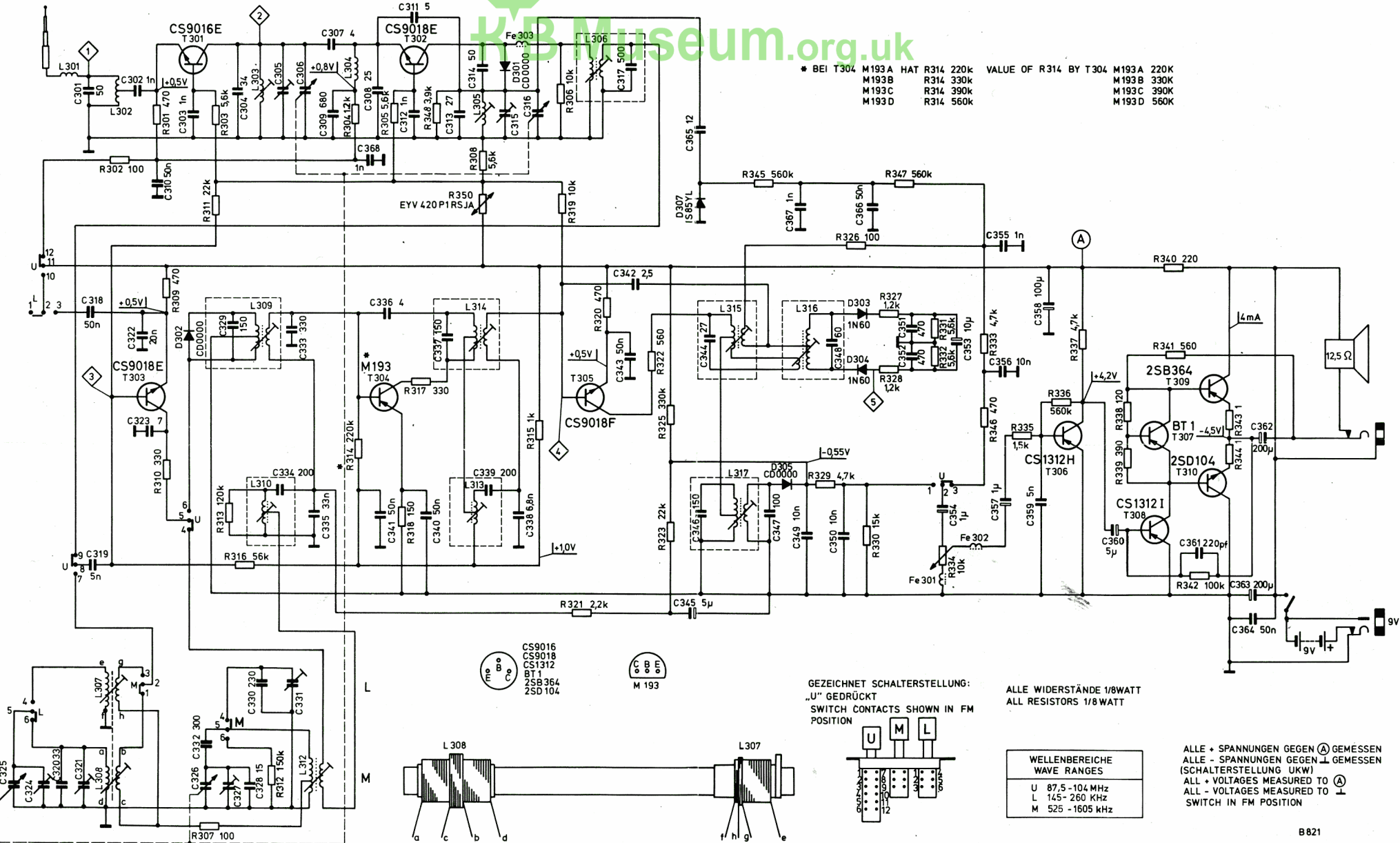
Rotate the tuning capacitor fully clockwise. Hook the dial cord with the loop on the tuning capacitor wheel 1 at "A". Lead the dial cord over the notch and after a 1/4 turn clockwise up to the drive drum 2. After 2 1/4 turns anti-clockwise lead the cord up to the pulley 3. Lay the cord with 4 turns anti-clockwise around the small section of the pulley (note position of the slot). Next, lead the cord over the slot and lay it with 1 1/4 turns around the large section. Lead the cord up to the pulley 2 and, after 4 3/4 turns anti-clockwise (note position of slot!), around the larger section lead the cord over the notches and after a 3/4 turn around the smaller section lead it up to the tuning capacitor wheel 1. After a 3/4 turn, pass the cord through the notch and hook it on with the spring at "B".

ITT Consumer Products Services Ltd.,

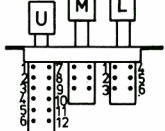
FOOTSCRAY, SIDCUP, KENT.  
01-300-7733.

32. Milton Rd., East Kilbride, Glasgow.  
0355-2-25101.

\* BEI T304 M193 A HAT R314 220k VALUE OF R314 BY T304 M193 A 220K  
 M193 B R314 330k M193 B 330K  
 M193 C R314 390k M193 C 390K  
 M193 D R314 560k M193 D 560K



GEZEICHNET SCHALTERSTELLUNG:  
 "U" GEDRÜCKT  
 SWITCH CONTACTS SHOWN IN FM  
 POSITION



WELLENBEREICHE	WAVE RANGES
U	87,5 - 104 MHz
L	145 - 260 KHz
M	525 - 1605 kHz

ALLE + SPANNUNGEN GEGEN (A) GEMESSEN  
 ALLE - SPANNUNGEN GEGEN (L) GEMESSEN  
 (SCHALTERSTELLUNG UKW)  
 ALL + VOLTAGES MEASURED TO (A)  
 ALL - VOLTAGES MEASURED TO (L)  
 SWITCH IN FM POSITION