



# SERVICE MANUAL

## Model UG30

ISSUED: AUGUST, 1962.

**KOLSTER-BRANDES LIMITED**  
FOOTSCRAY                      SIDCUP                      KENT

### SERVICE DEPOTS

41, BENT STREET,  
CHEETHAM, MANCHESTER

FOOTSCRAY,  
SIDCUP, KENT  
FOOTscray 7733 (6 lines)

87, McALPINE STREET,  
GLASGOW  
CENTral 1779

Telephone: BLAckfriars 1751 (3 lines)



## Service Manual

# Radiogram — Model UG30

The UG30 is a revised version of the RG30 fitted with a Garrard Autoslim Stereo Record Changer.

The power pack has also been re-designed to incorporate a bridge type Metal Rectifier.

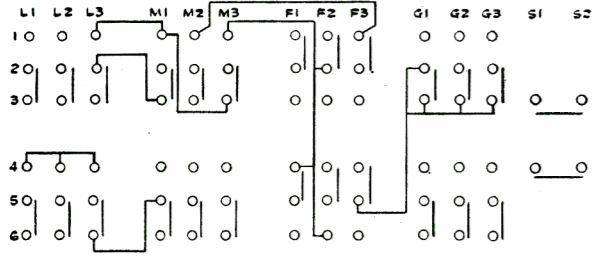
Alignment: as for Model RG20/30.

Spares List as for RG30 with the following exceptions:

Component	Part No.	Price
Cabinet	706/220	£42 12 4
Cabinet Back Cover	706/222	4 2
Cabinet Base Cover	706/223	3 8
Cabinet Back Cover (2 off)	706/227	2 2
Garrard Auto Changer	706/215	6 15 0 + 1 19 6 P.T.
Power Pack (Complete)	706/10	4 19 8
Mains Transformer	706/85	2 16 4
Rectifier ECI	14/2	15 9
Speakers (2 off)	706/250	1 11 2 + 9 4 P.T.
78 Stylus	58668	4 2 + 1 3 P.T.
Stereo Stylus	58690	4 2 + 1 3 P.T.
Pick Up Head (Garrard) EV26A	58925/01	1 8 6 + 8 6 P.T.

PRESS BUTTON SWITCH  
 CONTACTS LOOKING AT BACK OF SWITCH.  
 SWITCH IN F.M. POSITION

TOP.

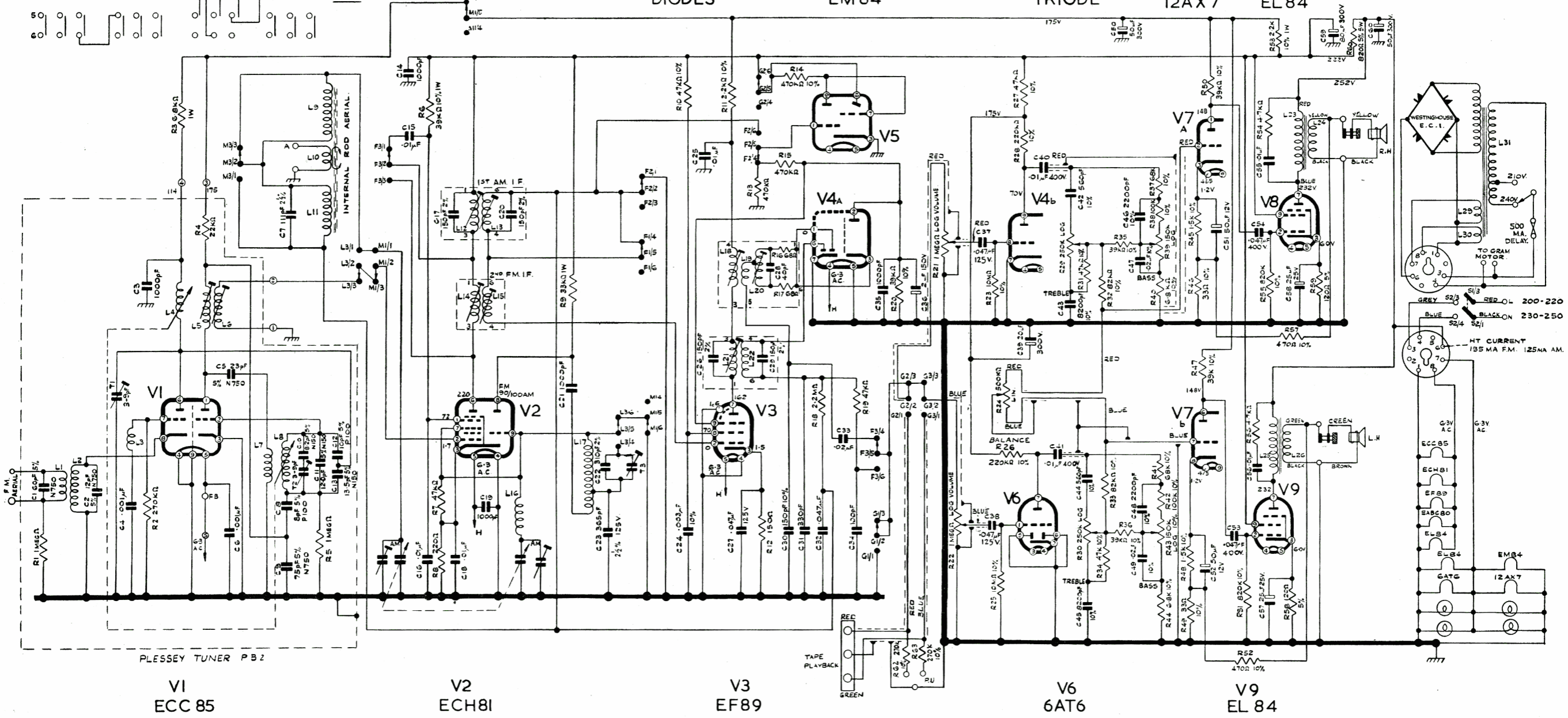


KB Museum.org.uk  
 V4A  
 EABC80  
 DIODES  
 V5  
 EM 84

V4B  
 EABC 80  
 TRIODE

V7  
 12AX7

V8  
 EL 84



V1  
 ECC 85

V2  
 ECH81

V3  
 EF89

V6  
 6AT6

V9  
 EL 84

CIRCUIT DIAGRAM UG30