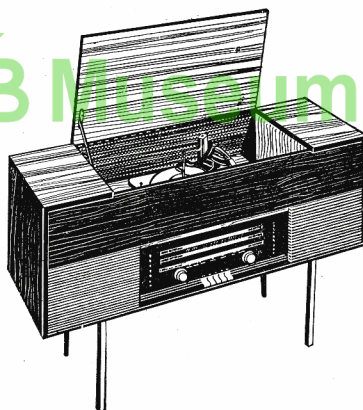


SERVICE MANUAL

MODEL TG10

KB MUSEUM.org.uk



" NOCTURNE "

ISSUED : JANUARY, 1962.

KOLSTER-BRANDES LIMITED
FOOTSCRAY SIDCUP KENT

SERVICE DEPOTS

41, BENT STREET,

CHEETHAM, MANCHESTER

Telephone: BLAckfriars 1751 (3 lines)

FOOTSCRAY,

SIDCUP, KENT

FOOTscray 7733 (6 lines)

87, McALPINE STREET,

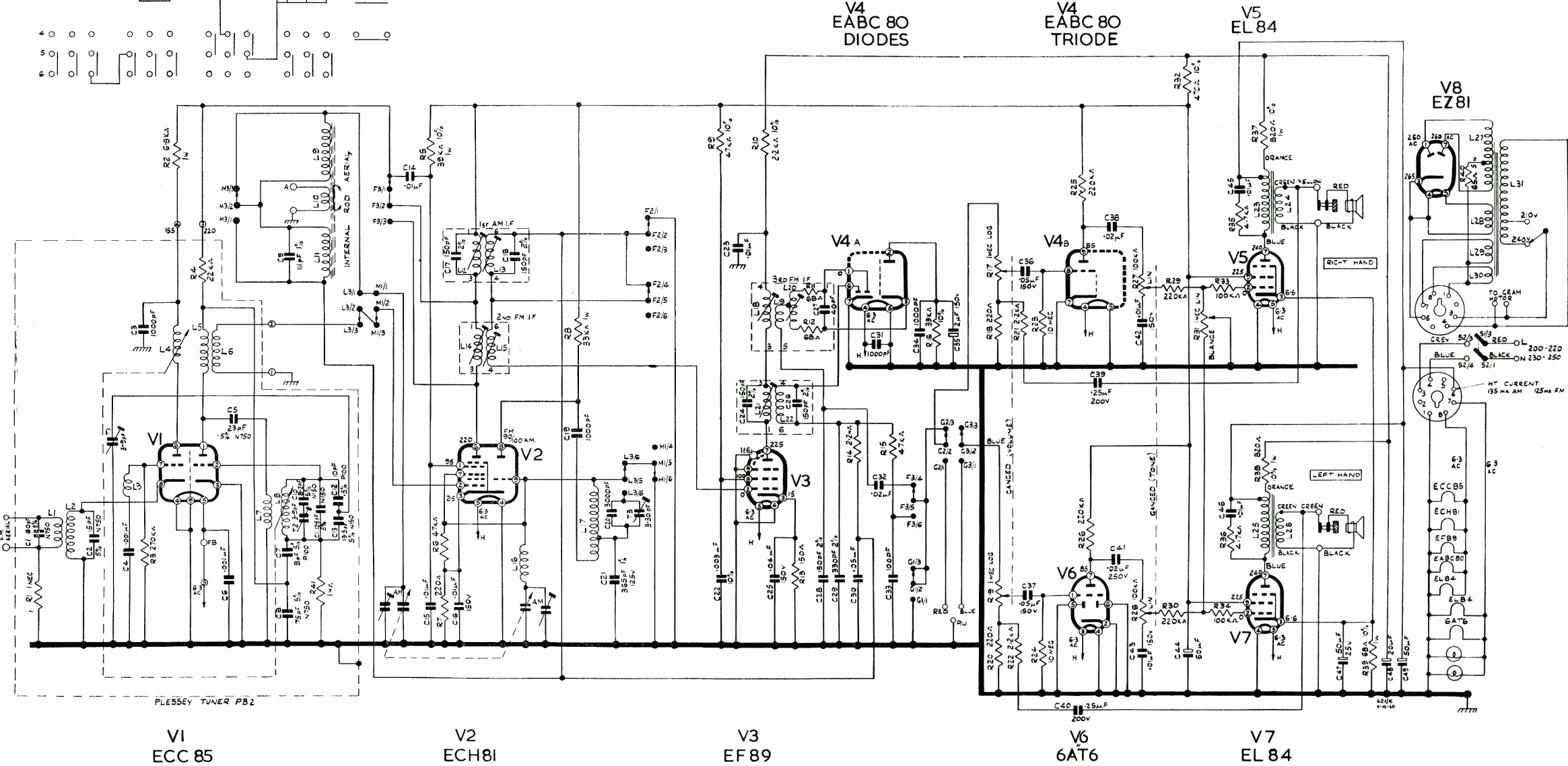
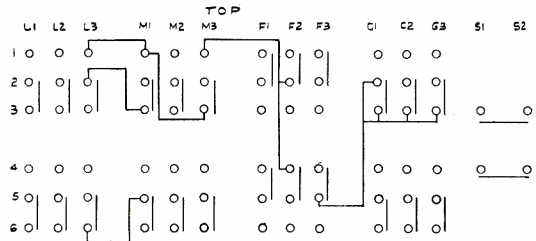
GLASGOW

CENtral 1779

A competitively priced Radiogram, the chassis of which is identical to the RG20, fitted to a slightly smaller cabinet.

For Alignment Instructions etc. refer to RG20, RG30 Manual.
 Spares List as for RG20, RG30, excepting those shown overleaf.

PRESS BUTTON SWITCH
 CONTACTS LOOKING AT BACK OF SWITCH
 SWITCH IN FM POSITION



CIRCUIT DIAGRAM TG10

MODIFICATION TO CIRCUIT

A 470K resistor is wired in each live lead from the pick up socket. (Marked Red and Blue) on Circuit.



SPARES LIST

Prices are subject to alteration without notice.

Component	Part No.	Price
Cabinet	669/220	£25 11 6
Back Cover	669/222	6 9
Base Cover	621/223/1	5 9
Scale	669/200	£1 1 6

For all other components refer to Service Manual RG20, RG30.