



KB “CONQUEST” KRO26

CIRCUIT DIAGRAM

ISSUED JUNE 1966

COMBINED RADIO AND TELEVISION SERVICE LTD

REGENT WORKS, SIDCUP, KENT. Tel: FOotscray 3333

SERVICING ORGANISATION FOR KB · RGD

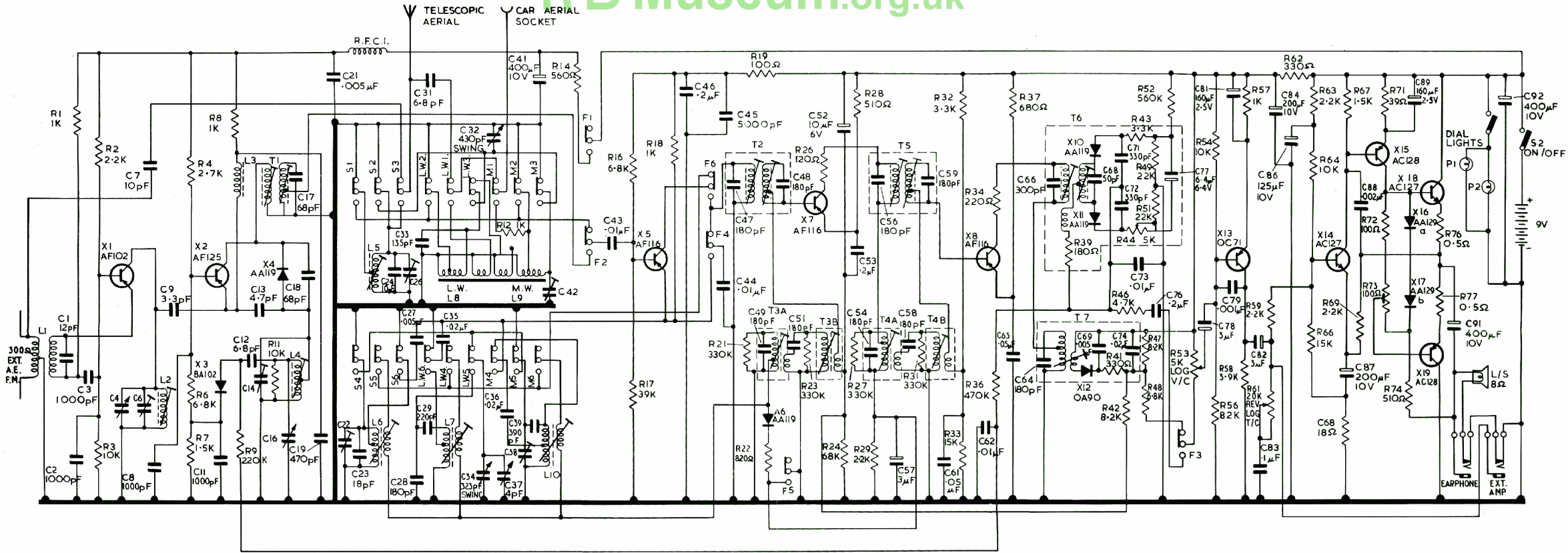
SCOTTISH DEPOT AT

32 MILTON ROAD

EAST KILBRIDE

GLASGOW

EAST KILBRIDE 25101



F. M.	S. W.	L. W.	M. W.
0 2 3	0 2 3	0 2 3	0 2 3
0 0 0	0 0 0	0 0 0	0 0 0
0 0 0	0 0 0	0 0 0	0 0 0
F	S. W.	L. W.	M. W.
4 5 6	4 5 6	4 5 6	4 5 6
0 0 0	0 0 0	0 0 0	0 0 0
0 0 0	0 0 0	0 0 0	0 0 0

VIEW LOOKING AT CONTACT SIDE OF SWITCH