

KB Chieftain KR023

RGD Rapier RR223

Service Manual

COMBINED RADIO & TELEVISION SERVICE LTD
Regent Works, Sidcup, Kent
Telephone: Footscray 3333

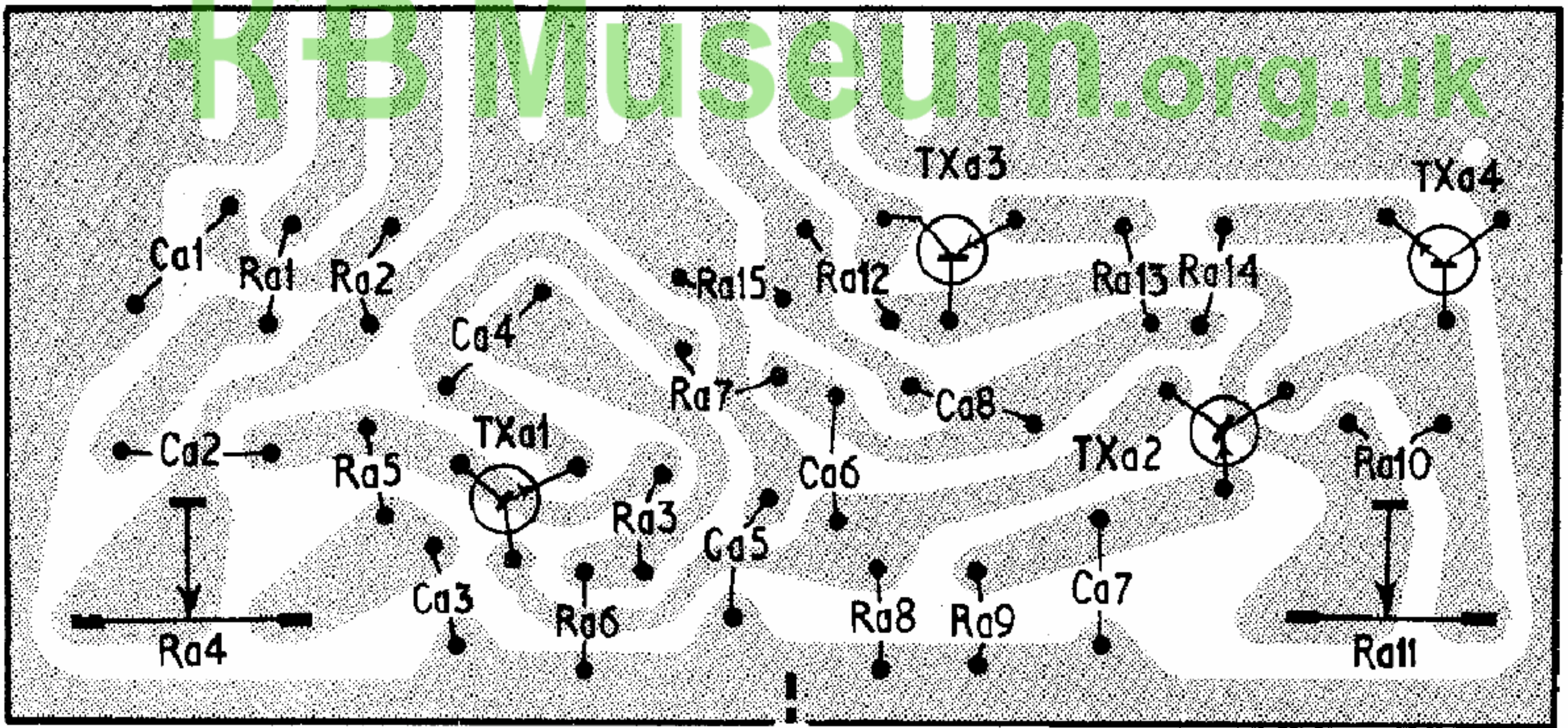
CRTS

for KR 023 and RR 223

Dimensions:	Height:	7 $\frac{3}{8}$ "	
	Width:	12 $\frac{5}{8}$ "	
	Depth:	3 $\frac{1}{4}$ "	
Weight:	4 lb. 8 $\frac{1}{2}$ oz. inc. battery		
Power Output:	850 mW at 10% distortion		
Power Supply:	9 volt battery type PP9 or VT9		
Power Consumption:	Quiescent:	19 mA	
	50 mW:	55 mA	
	600 mW:	140 mA	
Battery Life:	350 hrs. approx.		
Wavebands:	M.W.1.	540–1090 KHz	555– 275 Metres
	M.W.2.	1070–1620 KHz	280– 185 Metres
	L.W.	155– 255 KHz	1940–1175 Metres
Loudspeaker:	7" x 3 $\frac{5}{8}$ " 8 Ω		
Transistor Complement:	TXml	AF117	Mixer Oscillator
	TXkl	AF117	I.F. Amplifier
	TXk2	OC70	Detector
	TXal	AC127	Pre-Driver
	TXa2	AC128	Driver
	TXa3	AC128	Push Pull Output
	TXa4	AC127	
Diode Complement:	Dkl	CG64H	I.F. Overload Protection
Controls:	Push Buttons:	MW1, MW2, LW	
	On/Off	Volume	
	Tuning		

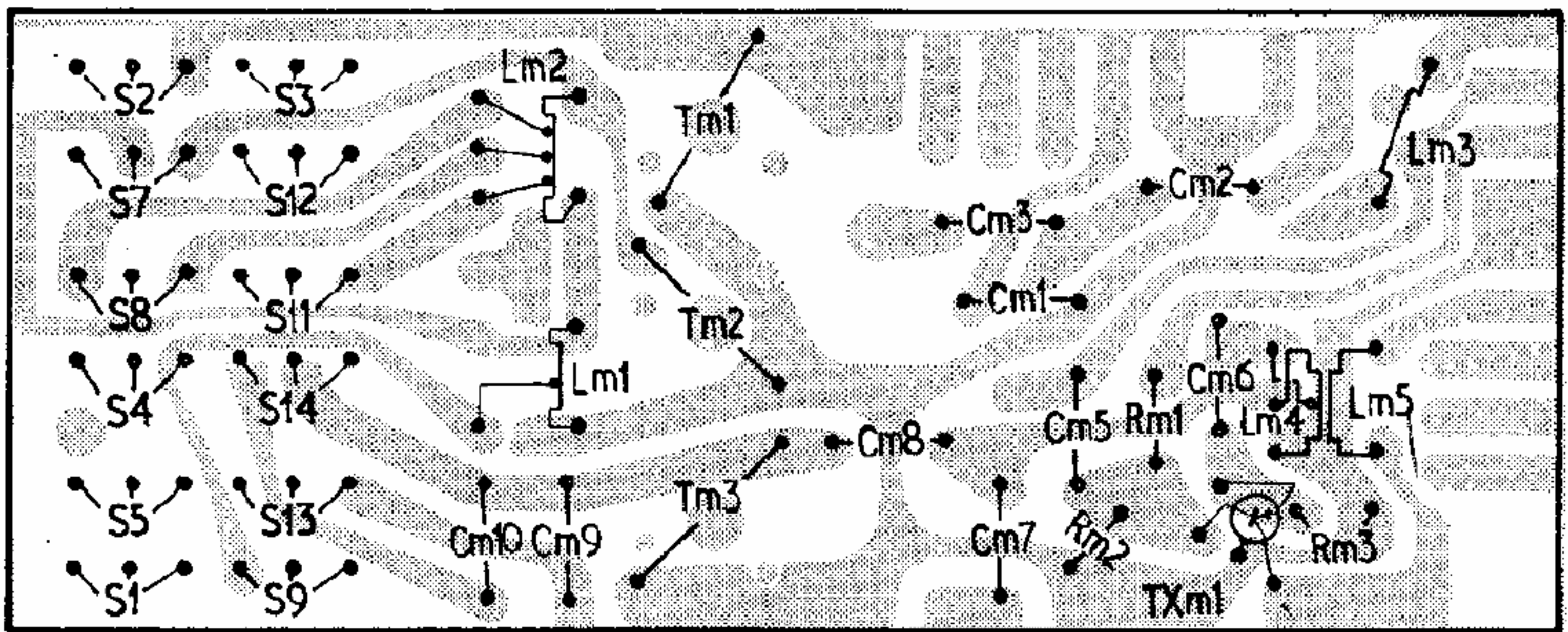
① ② ③ ④ ⑤ ⑥ ⑦ ⑧ ⑨

KB MUSEUM.org.uk



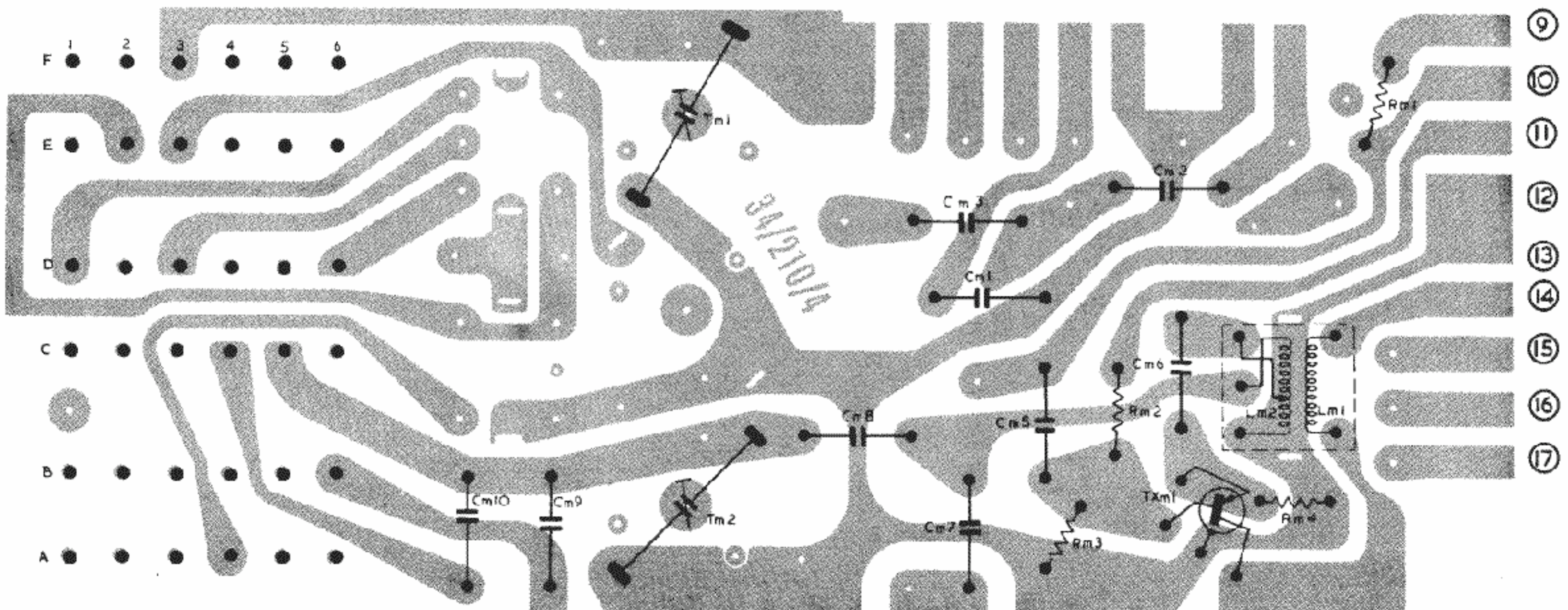
R.f. module with component locations.

① ② ③ ④ ⑤ ⑥ ⑦ ⑧



a.f. module with component locations.

① ② ③ ④ ⑤ ⑥ ⑦ ⑧



TXm1
AF117

TXk1
AF117

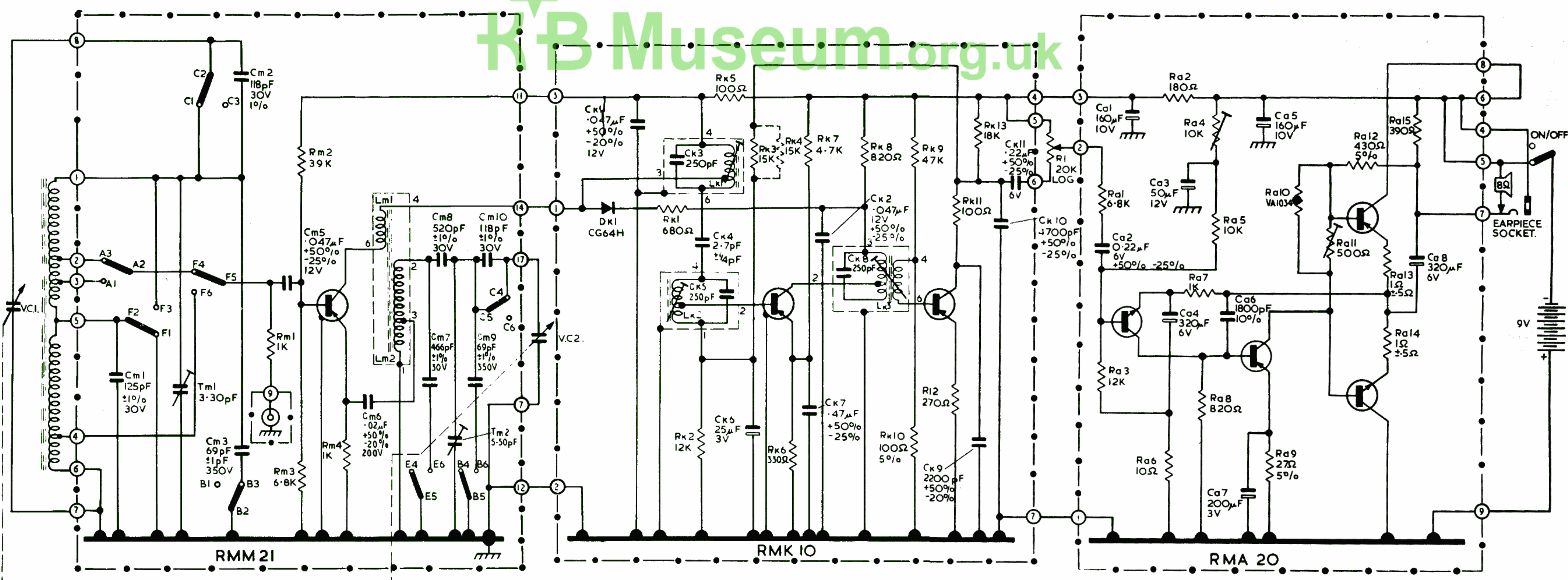
TXk2
OC70

TXa1
AC157

TXa2
AC113

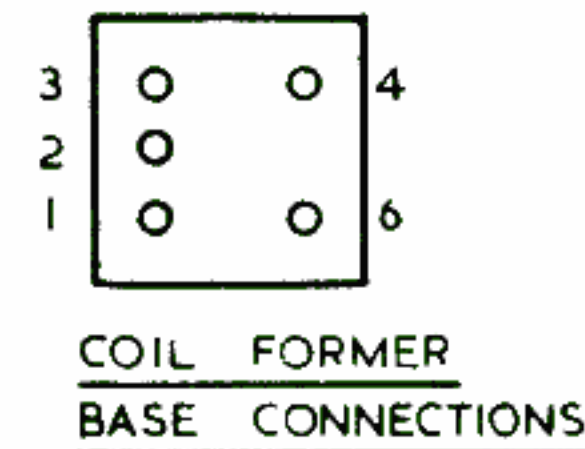
TXa3
AC154

KB Museum.org.uk

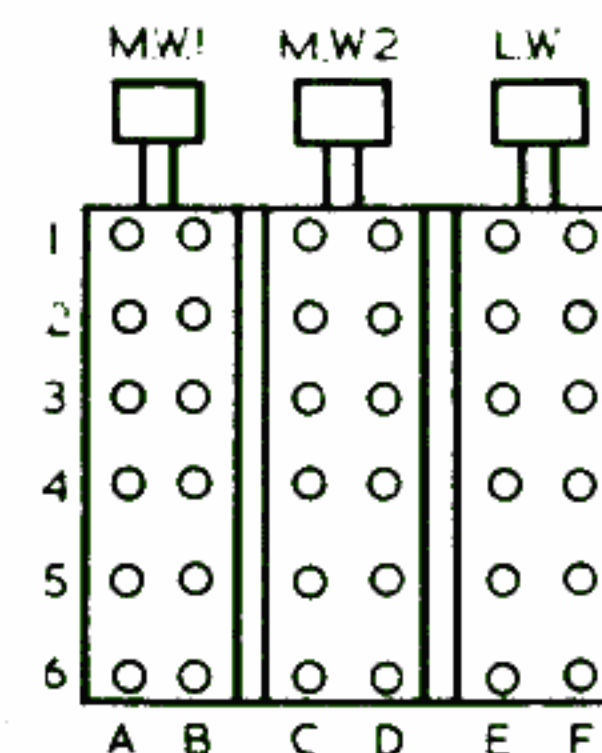


SWITCHES SHOWN IN M.W.I.

KB KR023
RGD RR223



COIL FORMER
BASE CONNECTIONS



SWITCH VIEW FROM COPPER
SIDE OF THE LARGE PRINTED
CIRCUIT BOARD

ALL RESISTORS 1/2 WATT 10%
UNLESS OTHERWISE STATED

TXa4
AC157

This manual should be used in conjunction with the KR022 - RR222 manual. The receivers are electrically similar apart from the RF Module RMM21 which does not incorporate separate coils or push button switching for car operation.

FOR ALL OTHER INFORMATION INCLUDING ALIGNMENT, REFERENCE SHOULD BE MADE TO THE KR022 - RR222 MANUAL.

CABINET PARTS LIST

DESCRIPTION	Part/Loc. No. KR023	Part/Loc. No. RR223
Cabinet Assy.	1346/3/21513	1347/3/21521
Cabinet Back Assy.	1346/150/21506	1346/150/21506
Fascia Scale Assy.	1346/50/13310	1346/50/13310
Fascia Retaining Blocks, 2 off	35/480/13311	35/480/13311
Front Fascia (Aluminium)	28/250/13312	—
Front Fascia (Formica)	—	28/251/13313
Handle	28/215/3/14013	28/215/4/14017
Handle Pivots, 2 off	36/390/20433	36/390/20433
Speaker Gasket	8/516/13251	8/516/13251
Speaker (Size 7" x 3½", Impedance 8 ohms)	11/184/03069	11/184/03069
Push on Fix, 5 off (for handle Pivots & Speaker)	4/227/20630	4/227/20630
Earpiece Socket	13/435/2/25089	13/435/2/25089
Car Aerial Socket	13/79/2/25200	13/79/2/25200
Push on Fix 2 off (Aerial & Earpiece Socket)	4/105/20986	4/105/20986
Back Retaining Screw	36/138/26207	36/138/2/26571
Circlip (Back Screw)	4/158/20007	4/158/20007
Trim (Stainless Steel), 3 off	28/212/4/13316	28/212/4/13316
Grille Moulding (Cabinet Back)	35/446/13218	35/446/13218
Back Fix Spire Nut	4/8/20048	4/8/20048
Conical Feet (Black) 4 off	28/12/0/21278	28/12/0/21278
Battery Pad	8/513/25362	8/513/25362
Knob Assy. (Black) 2 off	1346/60/01171	1346/60/01171