

CRTS

KG032

ADDENDUM SHEET TO G.C.2

SERVICE MANUAL

KB KG032

 **KB MUSEUM.org.uk**

A DIVISION OF **STC**

Issued February, 1966

COMBINED RADIO AND TELEVISION SERVICE LTD

REGENT WORKS, SIDCUP, KENT. Tel: FOOtscray 3333

SERVICING ORGANISATION FOR K.B. REGENTONE. R.G.D. ACE. ARGOSY.

ALSO SCOTTISH DEPOT AT

COLLEGE MILTON

EAST KILBRIDE

GLASGOW

EAST KILBRIDE 25101



Dimensions :

Height —	36 $\frac{1}{4}$ "
Width —	41 $\frac{1}{4}$ "
Depth —	15"
Weight —	112 lb

Chassis Removal Instructions

Pull off the knobs. Remove chassis compartment back by means of three sheet metal screws. Remove two 4BA bolts and washers from the chassis rear flange and two 4BA nuts and washers from the side brackets mounted near the front of the chassis. Remove F.M. aerial, loudspeaker connections, pick-up input and motor feed plugs from their respective sockets. Remove mains feed and pilot lamp feed from the terminal block and tag panel respectively. Slide the chassis out of the cabinet.

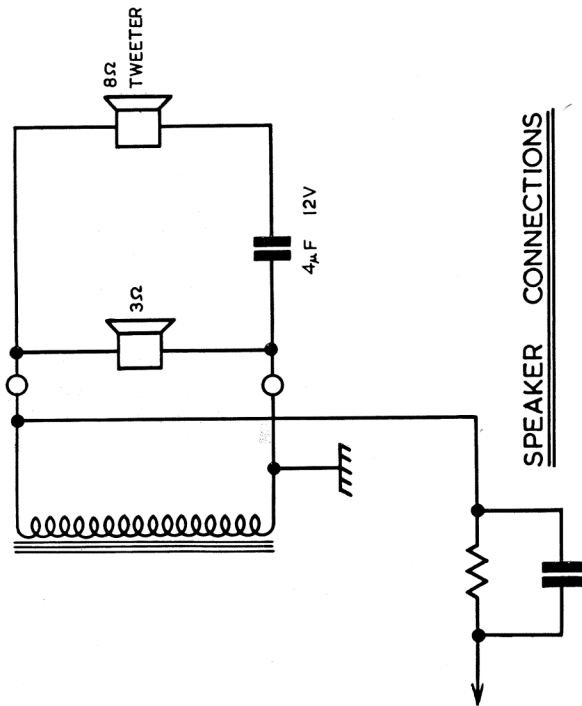
Record Player Removal Instructions

Pull record player tray out of the cabinet to the end of its travel. Remove record player tray bottom by means of six screws and release transit screw retaining clips. Record player may now be lifted clear of its tray to the extent of the leads which can be pulled through a few inches.

On models where the record player tray bottom is stapled and not screwed to the tray the following instructions for record player removal must be followed:—

Remove both speaker enclosure rear covers by means of nine countersunk wood screws on each cover, undo the two record player tray retaining bolts; the record player tray may then be lifted clear of the cabinet. The record player transit screw clips may then be released from the underside of the record player tray.

If it is desired to completely remove the record player from the cabinet, the right hand speaker enclosure rear cover must be removed and the 2 hardboard hole covers in the enclosure removed. The leads and plugs associated with the record player may then be fed through the holes and the record player completely removed from the cabinet.





KB Museum.org.uk
PARTS LIST FOR KG032

DESCRIPTION	PART/LOCATION No.
Cabinet	1088/220/21798
Cabinet Back	1088/222/27275
K.B. Badge	21/71/2/13542
Escutcheon K.B. Badge	35/69/1/13221
Escutcheon Push Button	35/182/13611
Calibrated Scale	44/49/11354
Scale Clamps, 2 off	33/118/20045
Pointer	13/284/11289
Knobs, 4 off	983/60/3/01769
Speakers, 2 off (10" x 6", Impedance 3 ohms)	11/169/03137
Tweeters, 2off (4" Dia., Impedance 8 ohms)	11/141/03117
4 Mfd. 12 volt. Reversible Capacitor	KEM238/08534
Record Changer, BSR UA15	37/24/19308
Cartridge, Stereo type GP81/1	GP81/1/19644
Styli, 78	GP81/1/78/19281
Styli, L.P.	GP81/1/33/19287
Scale Lamp	13/143/1/12340
Lampholder	13/348/23356