

# KOLSTER-BRANDES LIMITED

FOOTSCRAY

SIDCUP

KENT

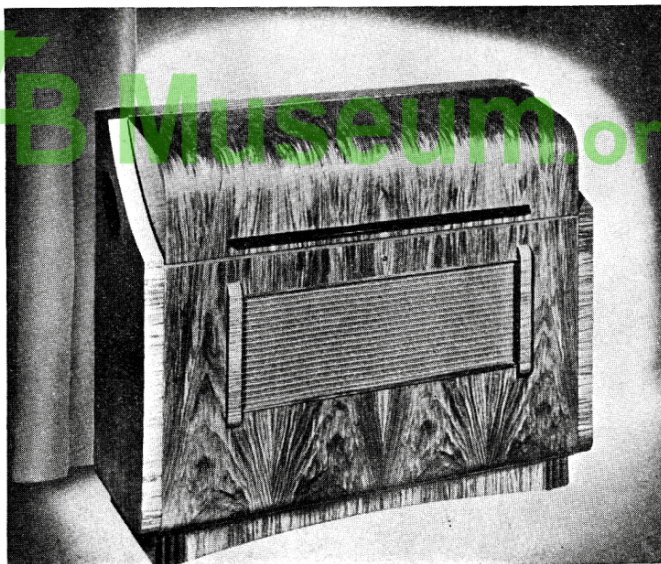
MODEL  
**EG 30**



## SERVICE DATA

INCORPORATING EG 30T

ISSUED SEPT., 1949



### MOTOR UNIT

Separate service instructions are issued by the Motor Manufacturers and they should be consulted regarding Units or Pick-up Heads.

### DESCRIPTION

**GENERAL.** The K-B Model EG 30 is a 5-valve plus rectifier superheterodyne Radiogramophone for operation on AC power supplies of 200-250 volts, 40-60 cycles.

The circuit is as follows :—

Frequency changer followed by a double diode R.F. pentode, which acts as I.F. amplifier, diode rectifier and AVC diode. The signal is then fed into a double triode voltage amplifier and finally to a beam tetrode output valve.

#### WAVE RANGE EG 30

Long Wave - 732-2,110 metres (410-142 kc/s.)  
Medium - 187-585 metres (1,610-510 kc/s.)  
Short - 16.3-51.4 metres (18.4-5.8 mc/s.)

#### WAVE RANGE EG 30T

Medium Wave - 187-585 metres (1,610-510 kc/s.)  
Short Wave 1 - 41.8-130 metres (7.2-2.3 mc/s.)  
Short Wave 2 - 13.7-42.3 metres (22.0-7.1 mc/s.)

#### VALVES.

|                                          |   |   |   |              |                         |   |               |
|------------------------------------------|---|---|---|--------------|-------------------------|---|---------------|
| V.1 Frequency Changer                    | - | - | - | BRIMAR 6K8GT | V.4 2 Stage Audio Amp.  | - | BRIMAR 6SL7GT |
| V.2 Tuning Indicator                     | - | - | - | BRIMAR 6U5G  | V.5 Output Beam Tetrode | - | BRIMAR 6V6GT  |
| V.3 IF Amplifier AVC and Det. Audio Amp. | - | - | - | BRIMAR 7R7   | V.6 Full Wave Rectifier | - | BRIMAR 6X5GT  |

**OUTPUT.** 3 watts.

**CONSUMPTION.** Radio 50 watts. Gram. 65 watts.

**SPEAKER.** 10" Permanent Magnet.

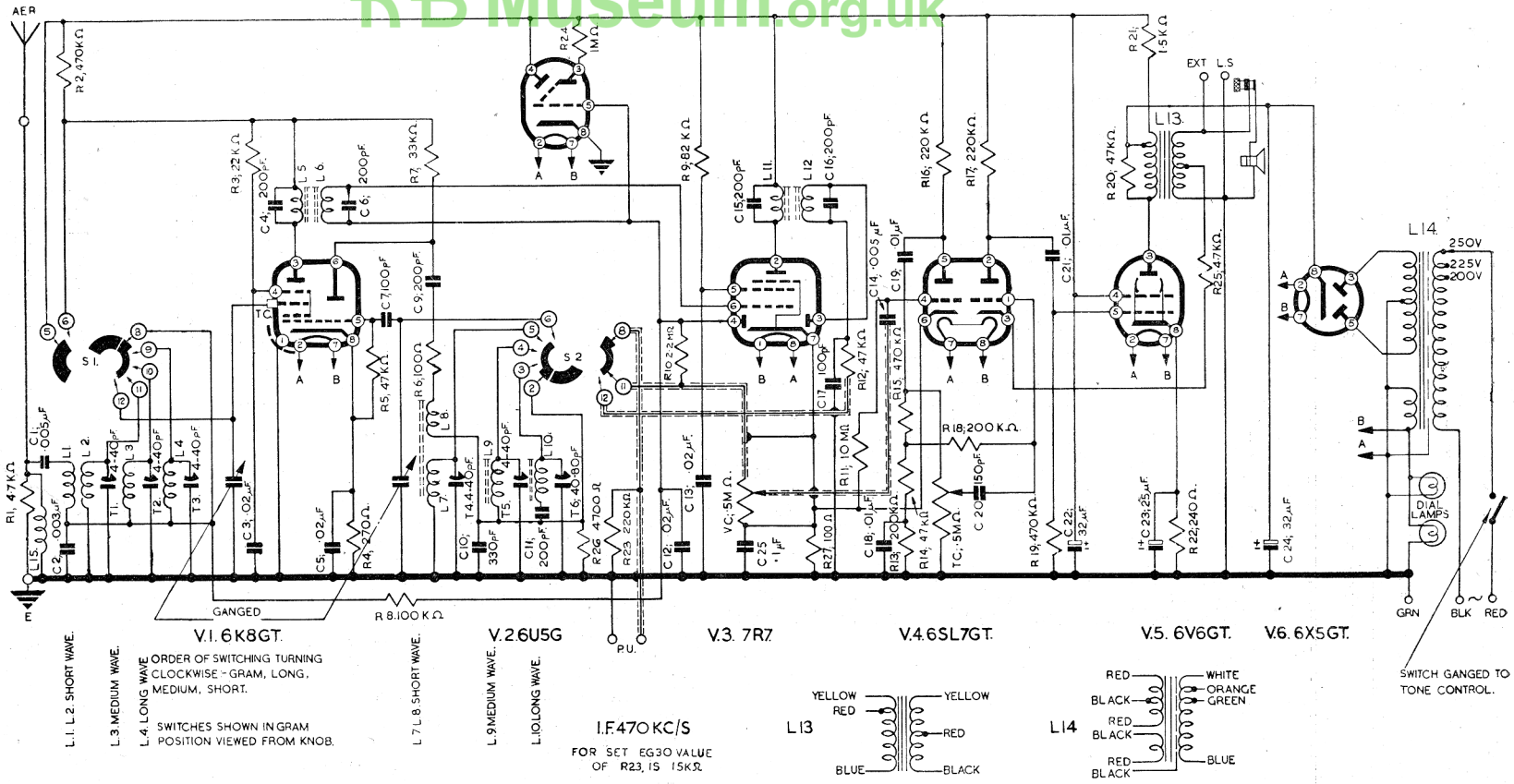
**CABINET.** Dimensions : Height 33", width 38 $\frac{3}{4}$ ", depth 14 $\frac{3}{4}$ ".

### REMOVAL OF CHASSIS FROM CABINET

Disconnect from mains. Remove knobs. Unscrew aerial/earth/extension speaker panel. Unsolder loudspeaker leads. Unscrew indicator lamp holder and disconnect mains supply to motor.



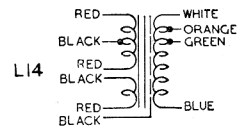
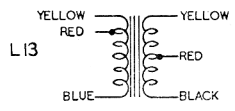
**EG 30 CIRCUIT**  
KB Museum.org.uk



**V1. 6K8GT.**  
L.1 L.2 SHORT WAVE.  
L.3 MEDIUM WAVE.  
L.4 LONG WAVE  
ORDER OF SWITCHING TURNING  
CLOCKWISE - GRAM, LONG,  
MEDIUM, SHORT.  
SWITCHES SHOWN IN GRAM  
POSITION VIEWED FROM KNOB.

**V2. 6U5G**  
L.7 L.8 SHORT WAVE.  
L.9 MEDIUM WAVE.  
L.10 LONG WAVE.

**I.F. 470 KC/S**  
FOR SET EG 30 VALUE  
OF R23, IS 15KΩ



SWITCH GANGED TO  
TONE CONTROL.