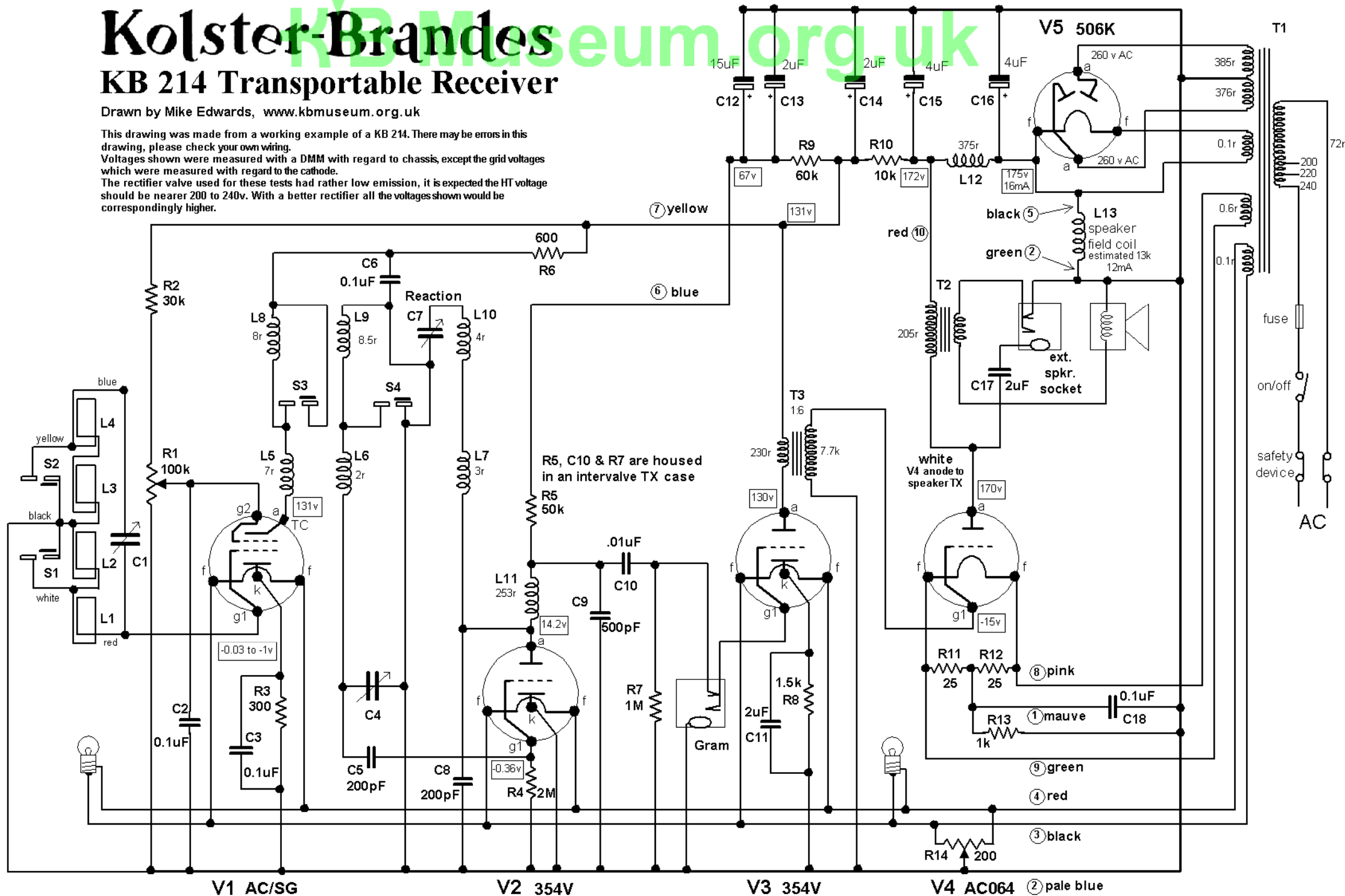


Kolster-Brandes Museum.org.uk

KB 214 Transportable Receiver

Drawn by Mike Edwards, www.kbmuseum.org.uk

This drawing was made from a working example of a KB 214. There may be errors in this drawing, please check your own wiring.
 Voltages shown were measured with a DMM with regard to chassis, except the grid voltages which were measured with regard to the cathode.
 The rectifier valve used for these tests had rather low emission, it is expected the HT voltage should be nearer 200 to 240v. With a better rectifier all the voltages shown would be correspondingly higher.



Notes

S1 S2 & S3
 Contacts open for LW and closed for MW

V2 354V
 R9 is made up of two 30k resistors
 R5 is made up of two 25k resistors
 R10 & R13 are 1 watt

V3 354V
 Numbers in circles refer to PSU connector numbers

V4 AC064 ② pale blue
 2 external speaker sockets exist, only one is shown