

I.T.T.

## Model 'Weekend' 350

**General Description:** A portable A.M./F.M. battery or mains-operated receiver covering Long, Medium, and V.H.F. wavebands. A socket is provided for the connection of an earphone.

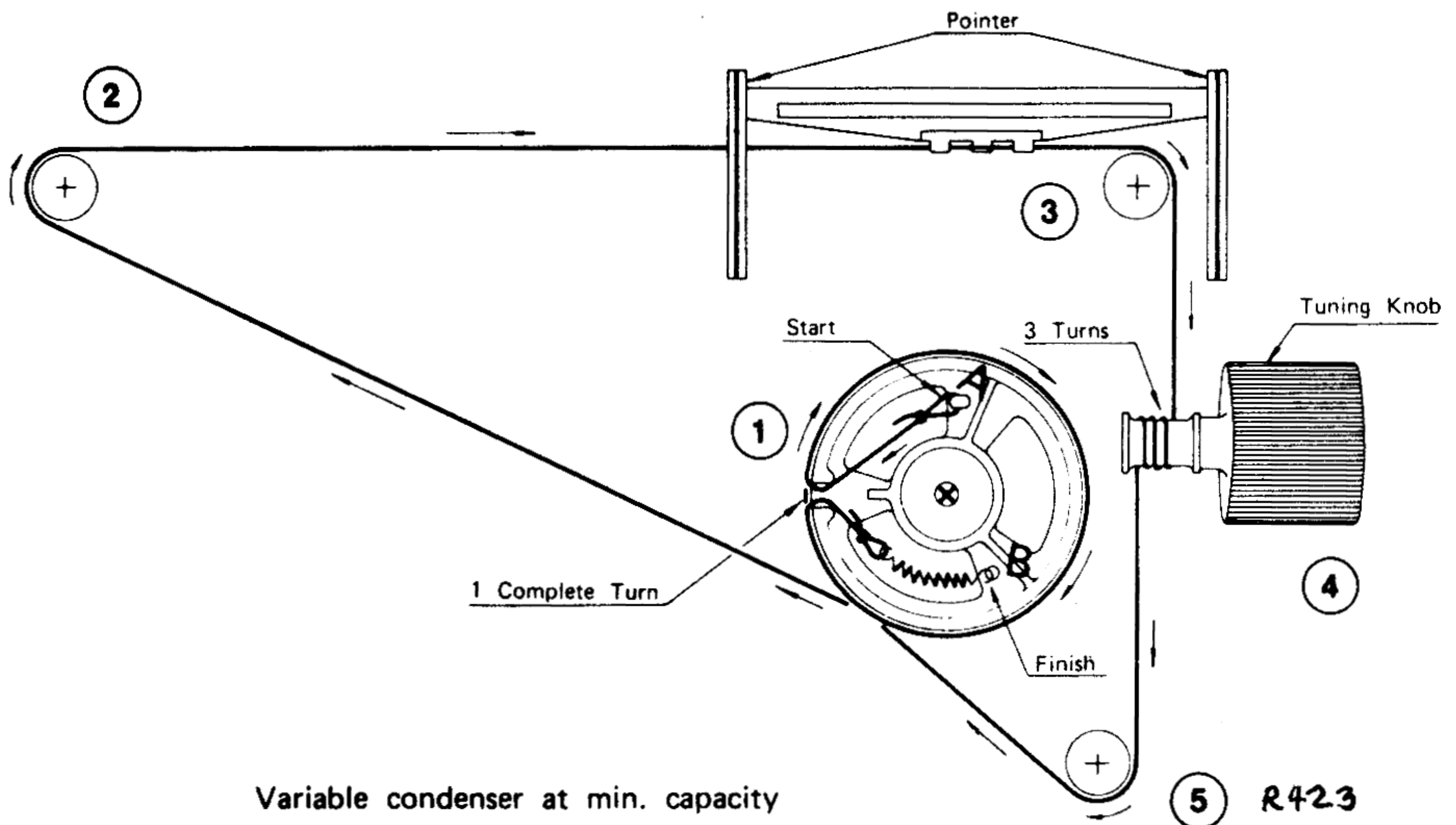
**Mains Supply:** 240V, 50Hz.

**Batteries:** 6V (4 × HP7).

**Wavebands:** L.W. 145-260kHz; M.W. 510-1,620kHz; F.M. 87.5-104MHz.

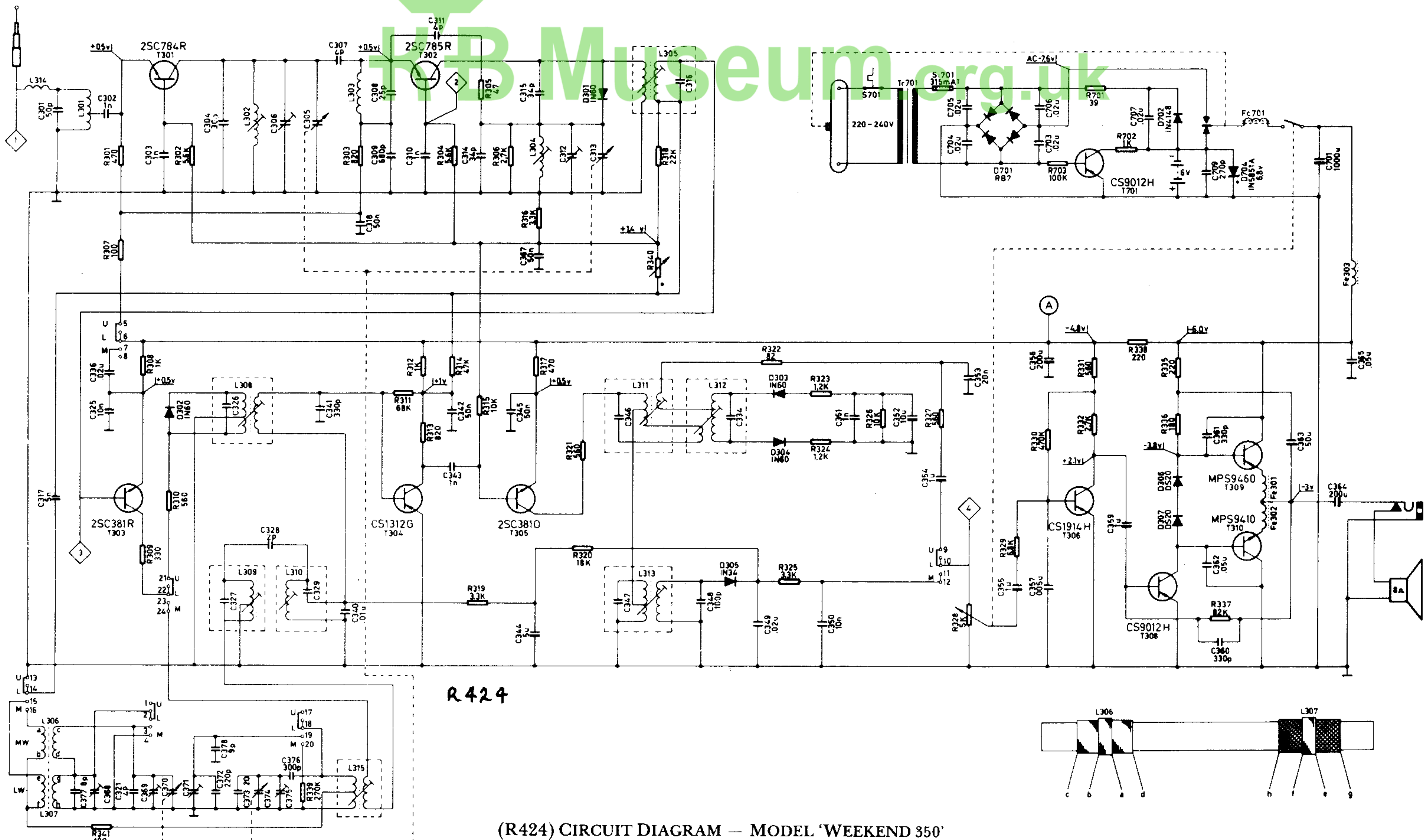
**Loudspeaker:** 8  $\Omega$  impedance.

**Drive Cord Assembly (see Fig. R423):** Mount the drive drum on the tuning shaft in the position shown in the figure (with the tuning capacitor turned fully clockwise). Hook the dial cord with one loop on the drive drum 1 at 'A'. Pass the cord through the notch and after  $\frac{3}{4}$  turn around 1 lead it up to the pulleys 2 and 3, then to the tuning knob 4, where after 3 turns, pass the cord to the pulley 5 and lead the cord up to the drive drum 1, after one turn around 1, pass the cord through the notch and hook with the spring on to the drive drum at 'B'. If necessary, untie the knot at the spring, stretch the spring and tie the knot again.



(R423) DRIVE CORD — MODEL 'WEEKEND' 350





(R424) CIRCUIT DIAGRAM — MODEL 'WEEKEND 350'