

# I.T.T. Model 'Tiny Super' 300

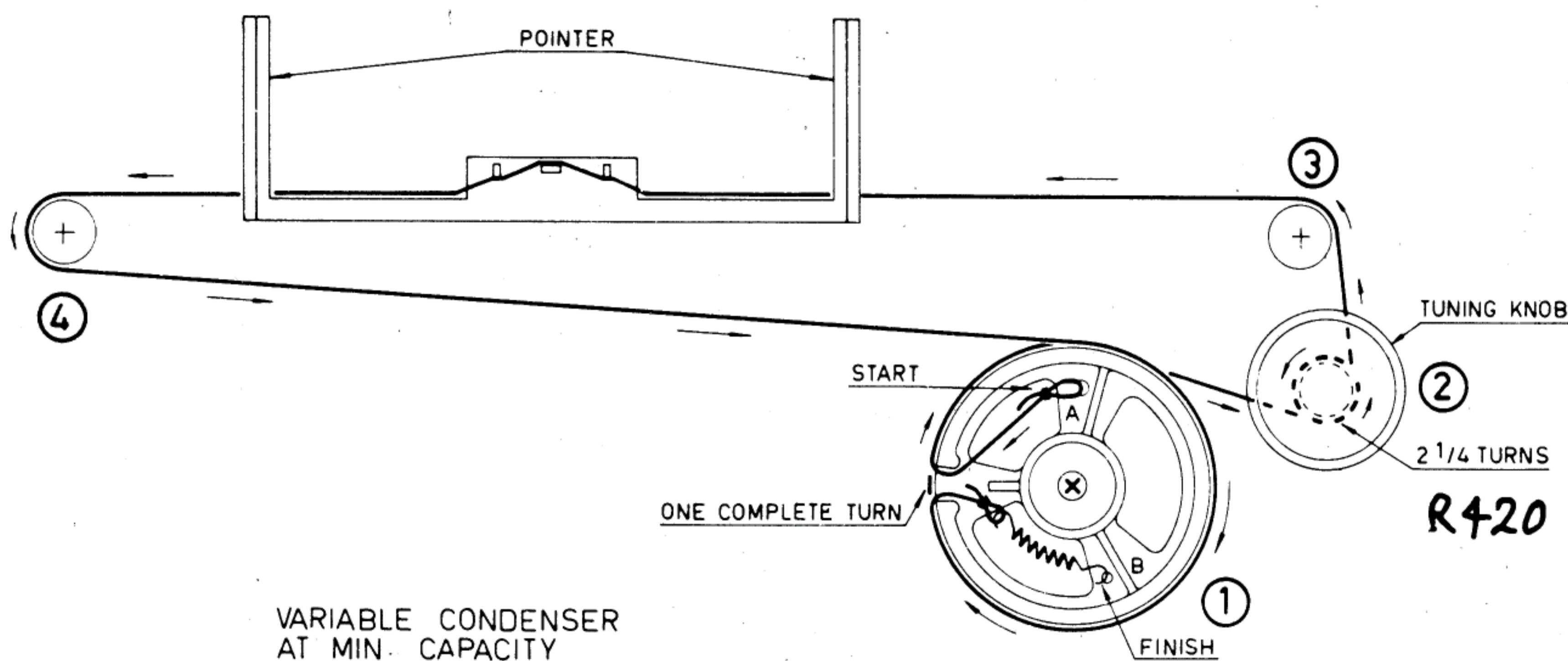
**General Description:** A portable A.M./F.M. battery operated receiver covering Long, Medium, and V.H.F. bands. A socket is provided for the connection of an earphone.

**Batteries:** 6V (4 × SP11).

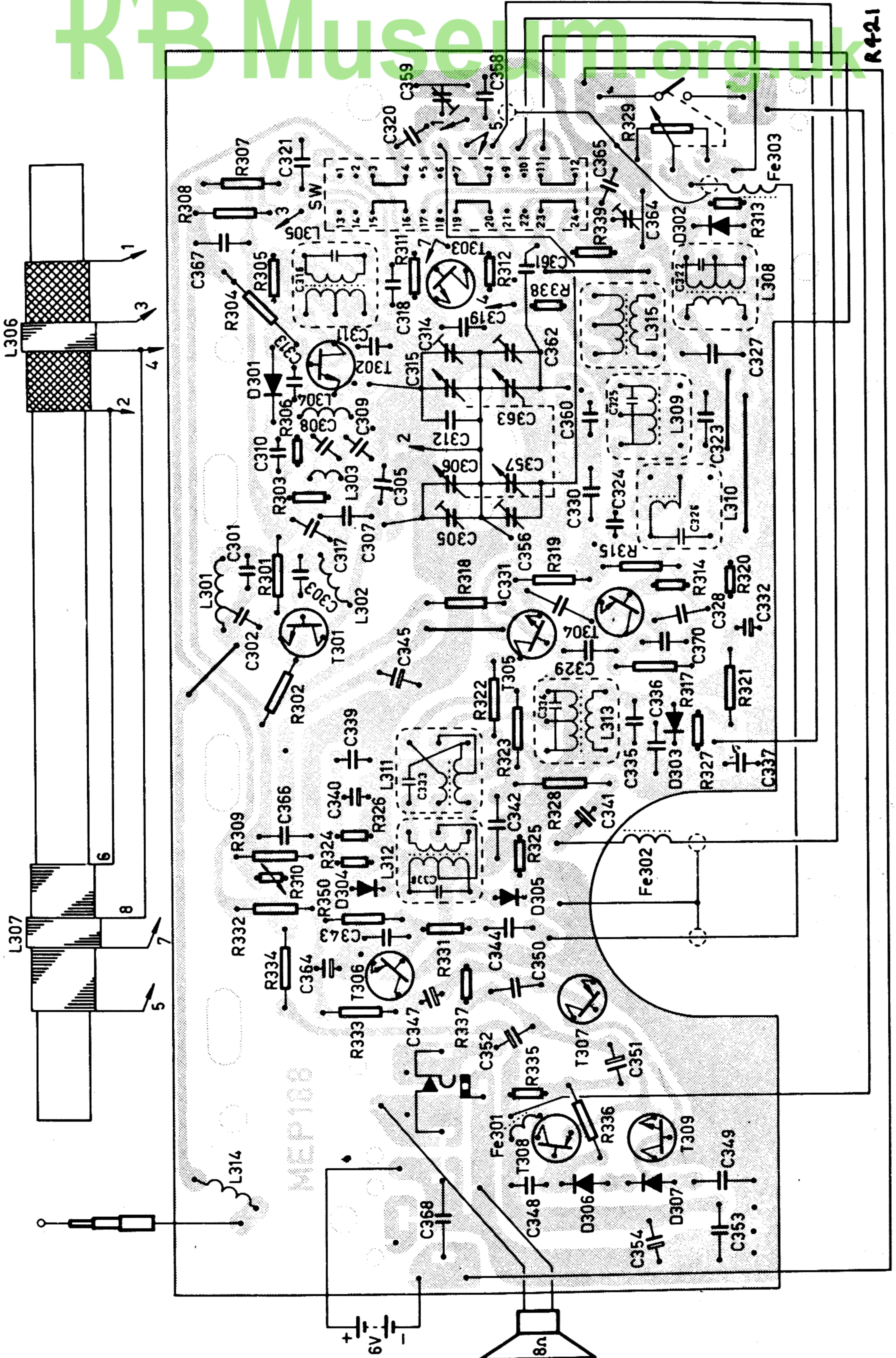
**Wavebands:** L.W. 145-260kHz; M.W. 510-1,605kHz; F.M. 87.5-104MHz.

**Loudspeaker:** 8Ω impedance.

**Drive Cord Assembly (see Fig R420):** Mount the drive drum on the tuning shaft in the position shown in the figure (with the tuning capacitor turned fully clockwise). Hook the dial cord with one loop on the drive drum 1 at 'A'. Pass the cord through the notch and after  $\frac{1}{4}$  turn around 1 lead it up to the tuning knob 2, after  $2\frac{1}{4}$  turns around 2, lead it around the pulleys 3 and 4 and lead the dial cord up to the drive drum 1, where after  $1\frac{3}{4}$  turns it is passed through the notch and hooked with the spring onto the drive drum at point 'B'. If necessary, untie the knot at the spring, stretch the spring, and tie the knot again.

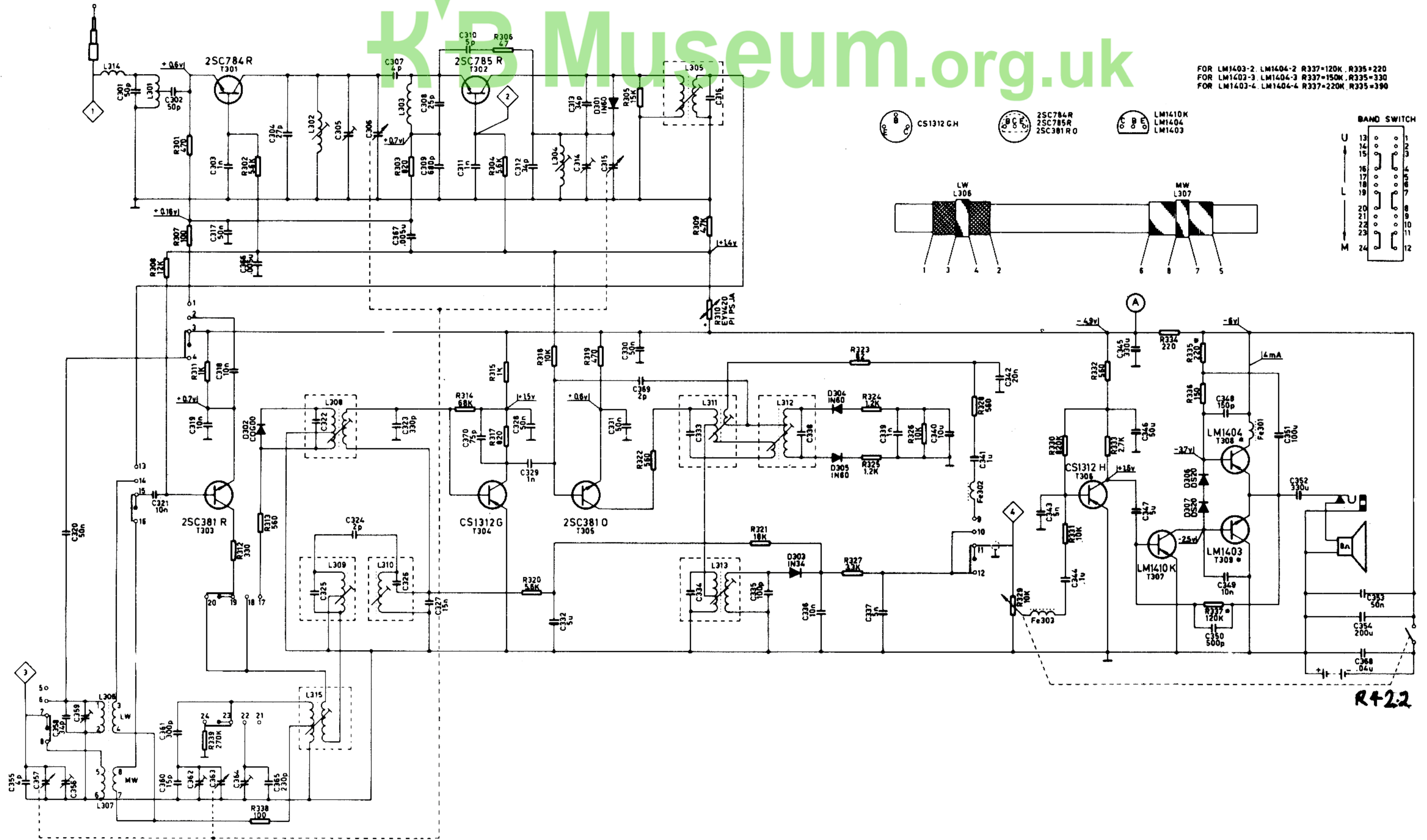


(R420) DRIVE CORD — MODEL 'TINY SUPER 300'



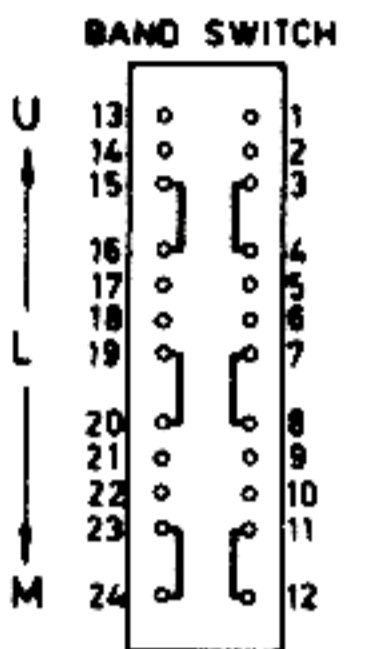
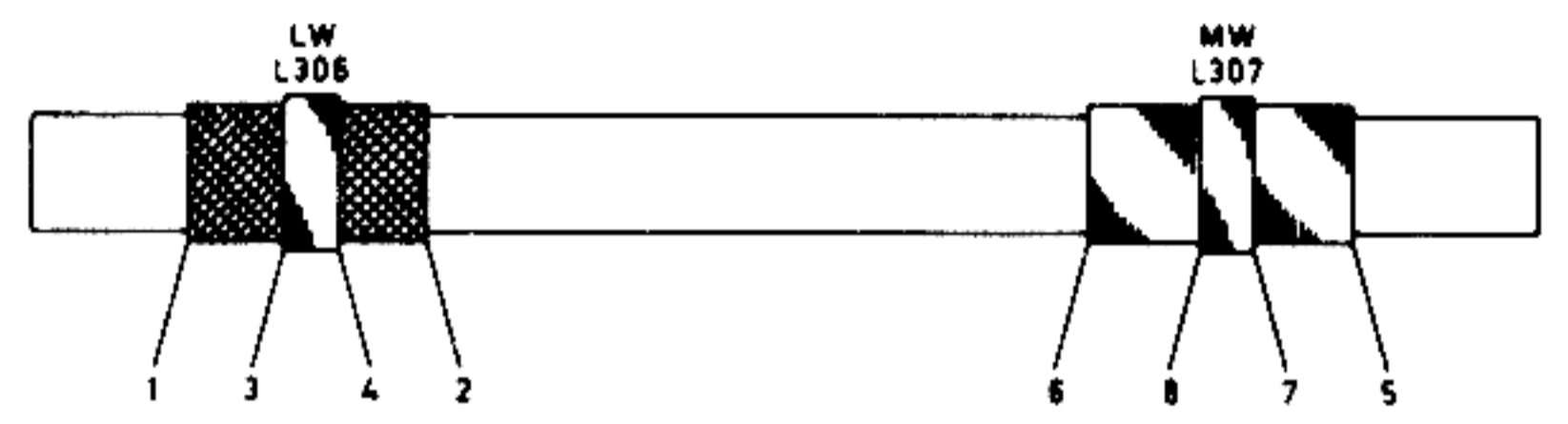
R421

(R421) COMPONENT LAYOUT - MODEL 'TINY SUPER 300'



FOR LM1403-2, LM1404-2 R337=120K, R335=220  
 FOR LM1403-3, LM1404-3 R337=150K, R335=330  
 FOR LM1403-4, LM1404-4 R337=220K, R335=390

- CS1312 G H
- 2SC784R
- 2SC785R
- 2SC3810 R
- LM1410K
- LM1404
- LM1403



(R422) CIRCUIT DIAGRAM — MODEL 'TINY SUPER 300'

R422