

I.T.T.

Model RC630L

www.krbmuseum.org.uk

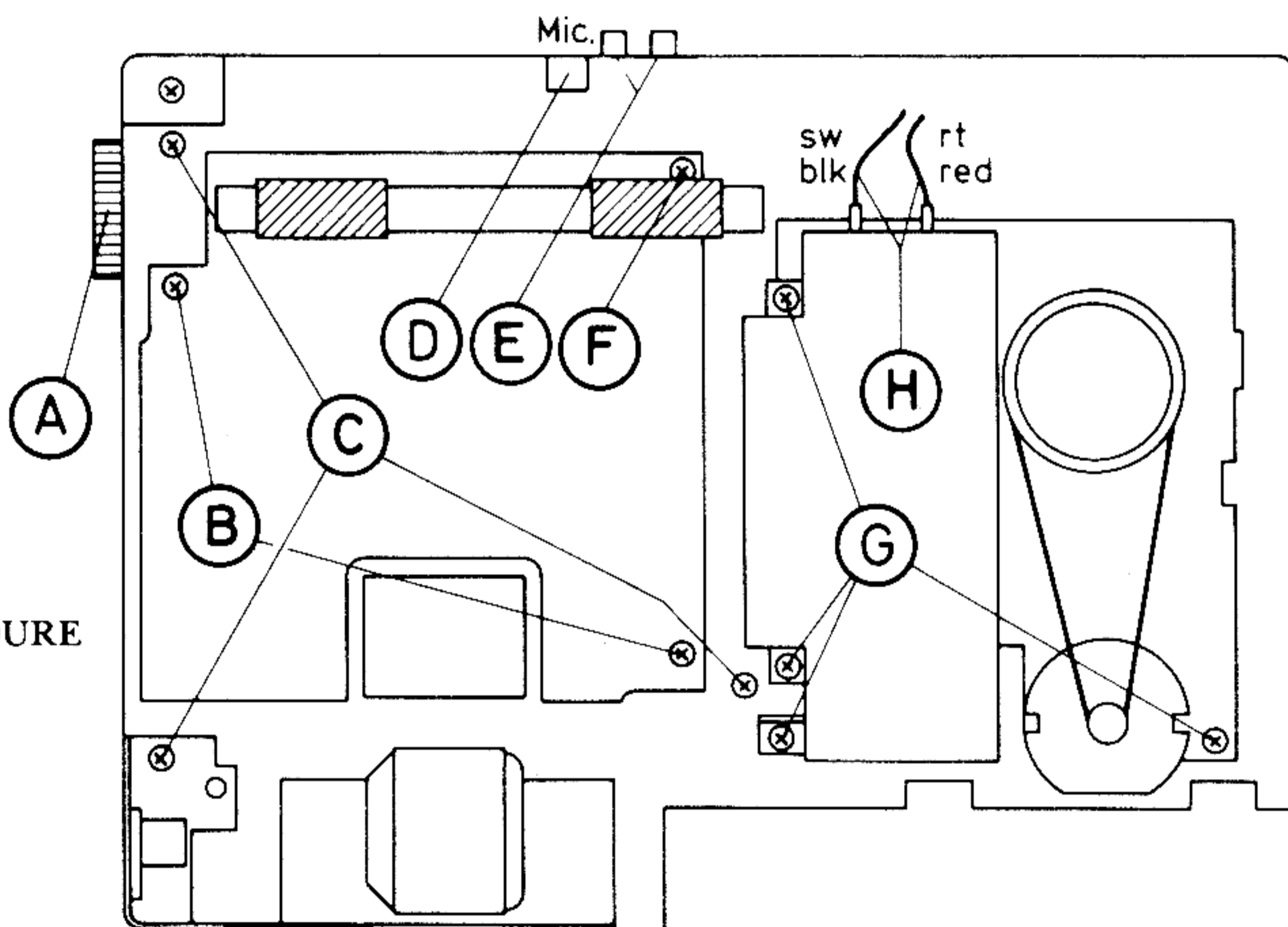
General Description: A radio cassette recorder operating on mains or battery supplies and covering Long, Medium and V.H.F. wavebands. The power supply enables rechargeable cells to be maintained and an integral microphone is fitted to the recorder which features automatic record level circuitry. Sockets are provided for the connection of auxiliaries and an earphone.

Mains Supplies: 110-130, 220-240V, 50Hz.

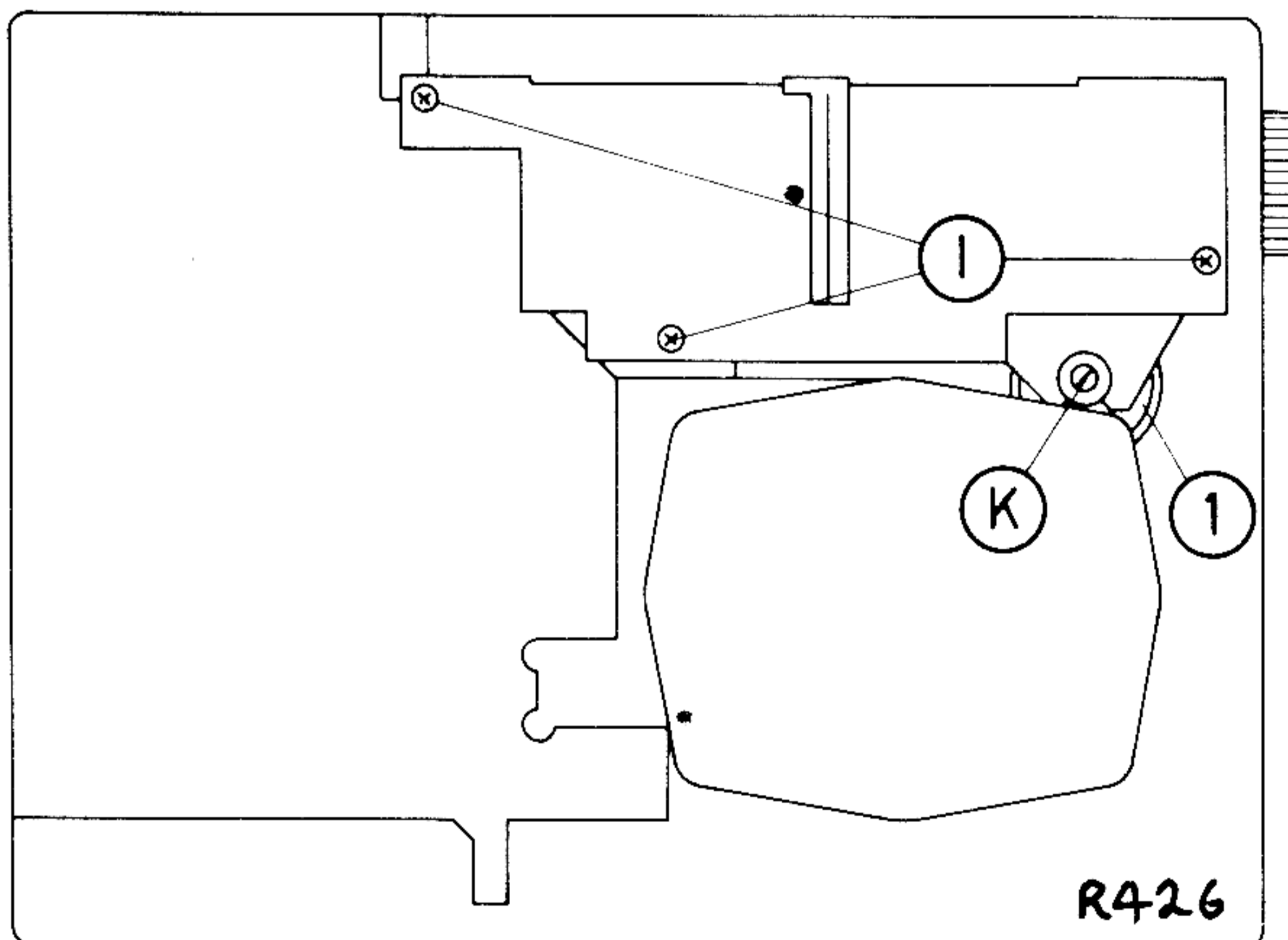
Batteries: 7.5V (5 × 1.5V).

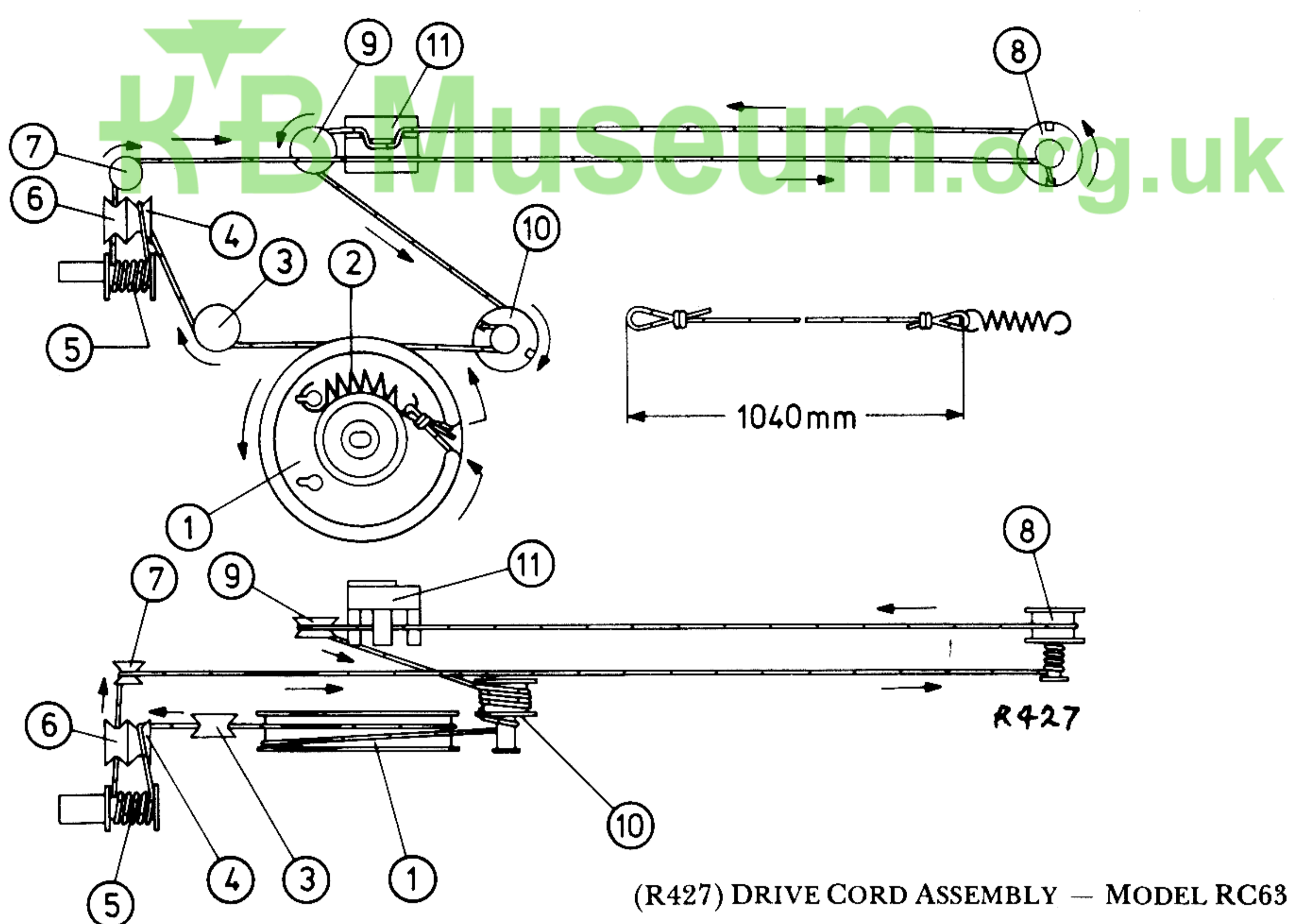
Wavebands: L.W. 148-273kHz; M.W. 515-1,605kHz; F.M. 87.5-104MHz.

Dismantling
(see Fig. R426)



(R426) DISMANTLING PROCEDURE
— MODEL RC630L





(R427) DRIVE CORD ASSEMBLY — MODEL RC630L

Rear Cover: Unscrew the 5 flat-head screws, to remove. When re-installing the rear cover ensure that the telescopic antenna snaps into the contact spring.

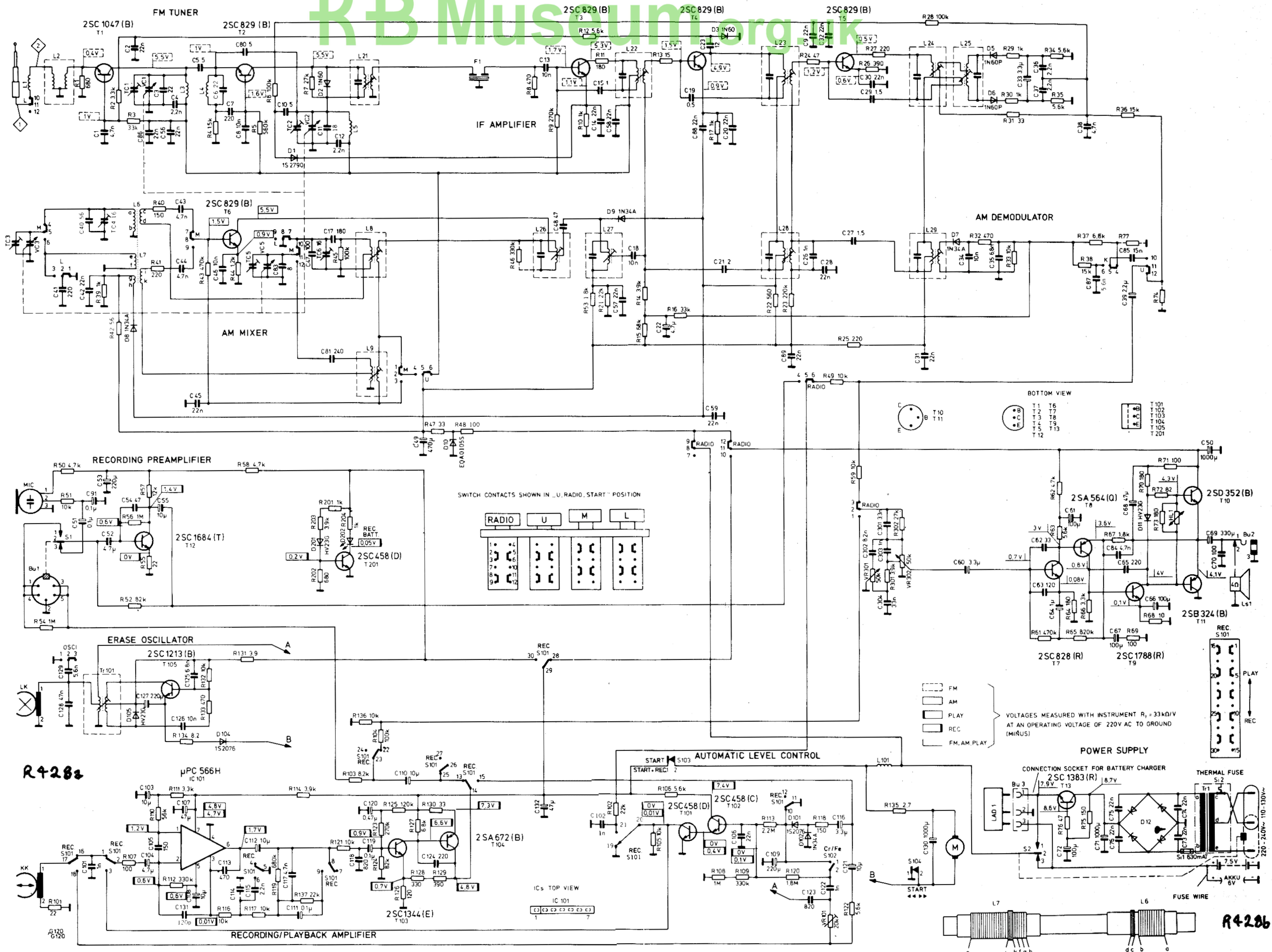
Front Shell: Loosen the 3 screws C and pull off the two plugs H (mind polarity upon reconnection!).

Radio Board: Reach inside the push out the two operating knobs E. Pull the microphone D from its support and loosen the 2 coloured screws B and screws F and K.

Recorder Chassis: Loosen the 4 coloured screws G and pull of the 2 plugs H (mind polarity upon reconnection!). Lift the chassis from the set, lifting it first at the bottom and then at the top.

Dial Cord Stringing (see Fig. R427): To dismantle the dial cord assembly pull of the tuning knob A, loosen screws F and K and the 3 screws I. Pull drive drum 1 off its shaft and lift off the complete assembly.

For stringing the dial cord, bring drive drum 1 into the illustrated position. Hook the cord into spring 2, go around pulleys 3 and 4 and continue to drive shaft 5. After $4\frac{1}{2}$ clockwise windings around 5, proceed around pulleys 6 and 7 and make 4 anti-clockwise turns around the small-diameter shaft of pulley 8. Having done this lead the cord through the notch to the large-diameter shaft pulley 8, make $\frac{1}{2}$ turn around it and proceed around pulley 9 to the large-diameter shaft of 10. Make 4 clockwise turns around it, lead it through the notch and make 1 turn around the small-diameter shaft. Proceed to drive drum 1, connecting the drive cord to it with tension spring 2. Place the dial pointer 11 on the drive cord and remount the dial cord assembly, first ensuring that the tuning capacitor is turned fully clockwise.



(R428a) CIRCUIT DIAGRAM - MODEL RC630L (Part)

(R428b) CIRCUIT DIAGRAM - MODEL RC630L (Continued)