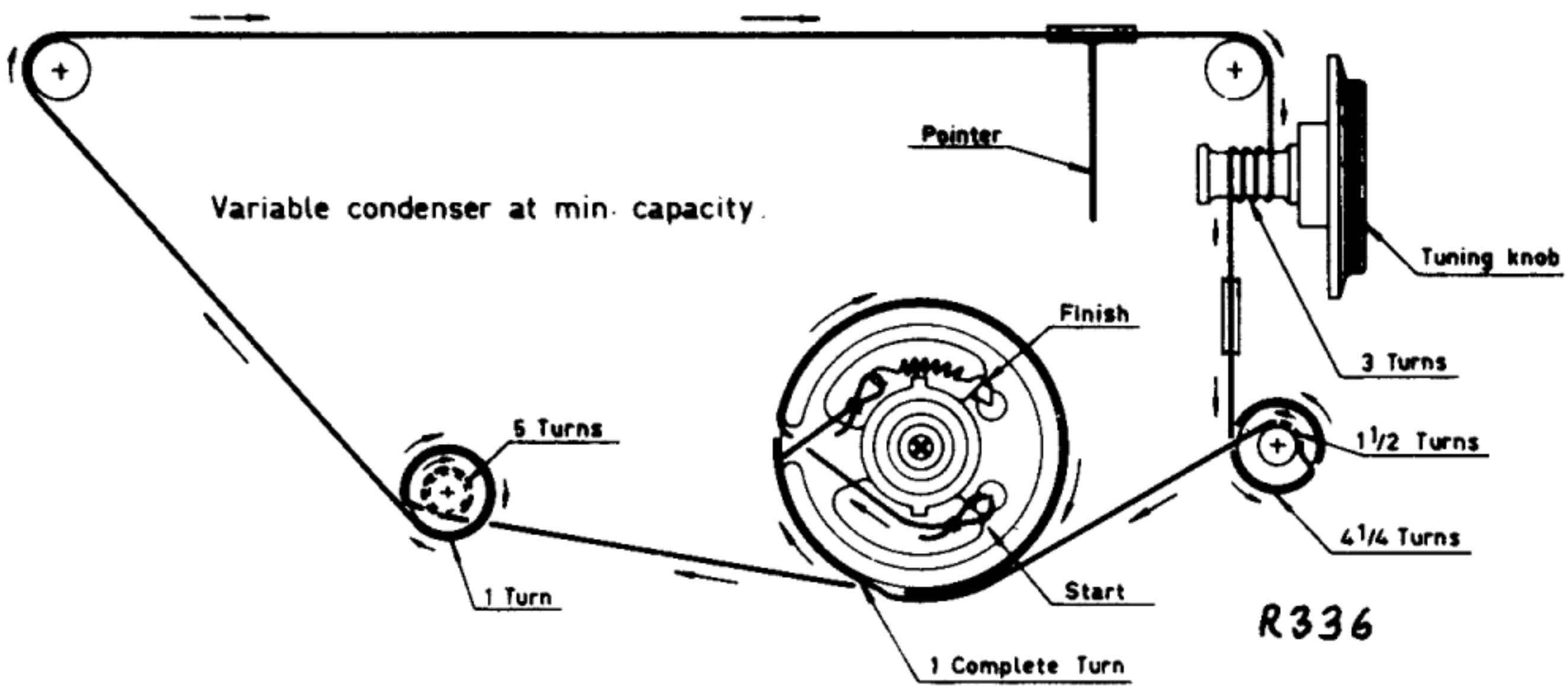


General Description: A portable A.M./F.M. receiver operating from mains or battery supplies. Sockets are provided for the connection of auxiliaries and an earphone.

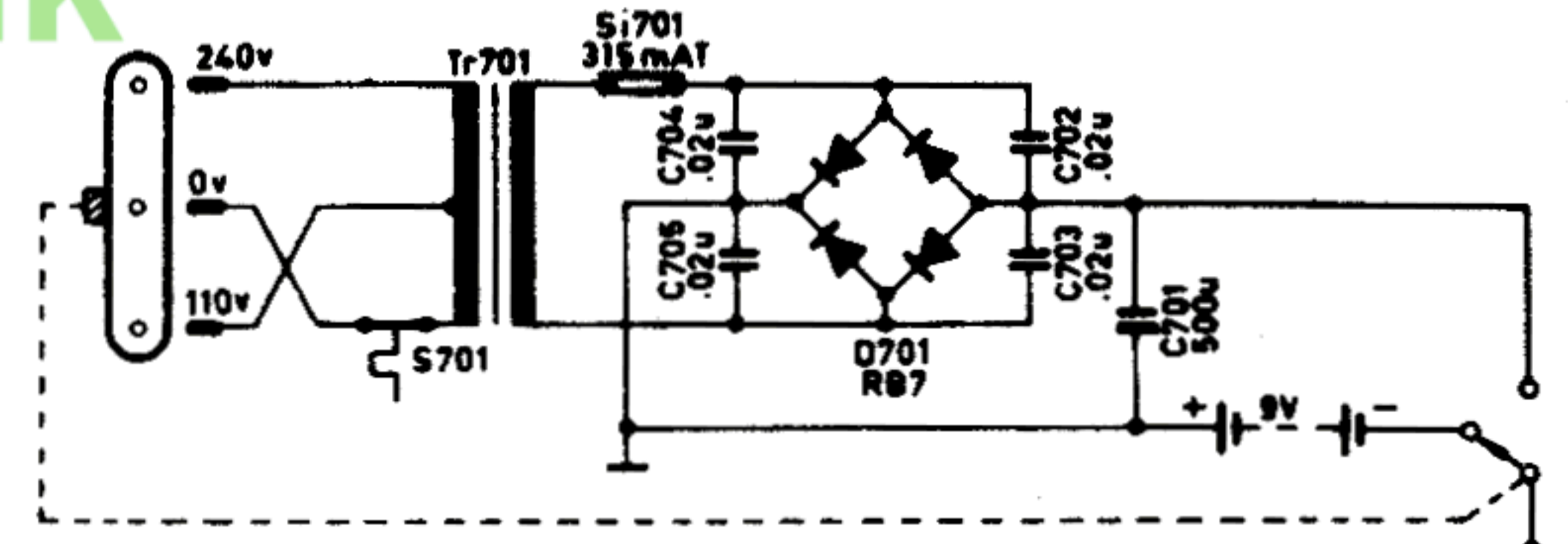
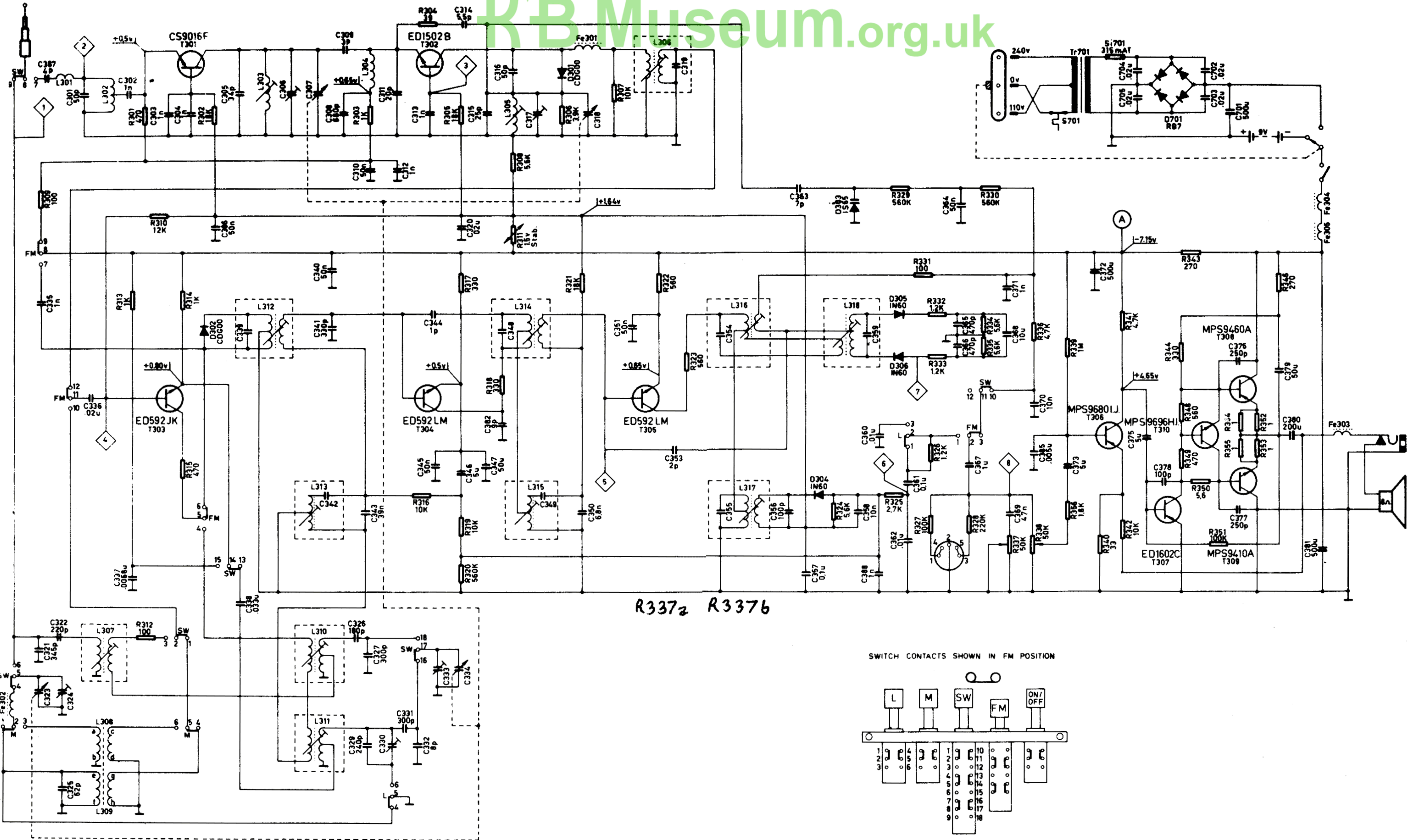
Mains Supplies: 9V (6 × 1.5V).

Wavebands: L.W. 145-260kHz; M.W. 510-1,620kHz; S.W. 5.8-6.3MHz; F.M. 87.5-104MHz.

Loudspeaker: 8Ω impedance.

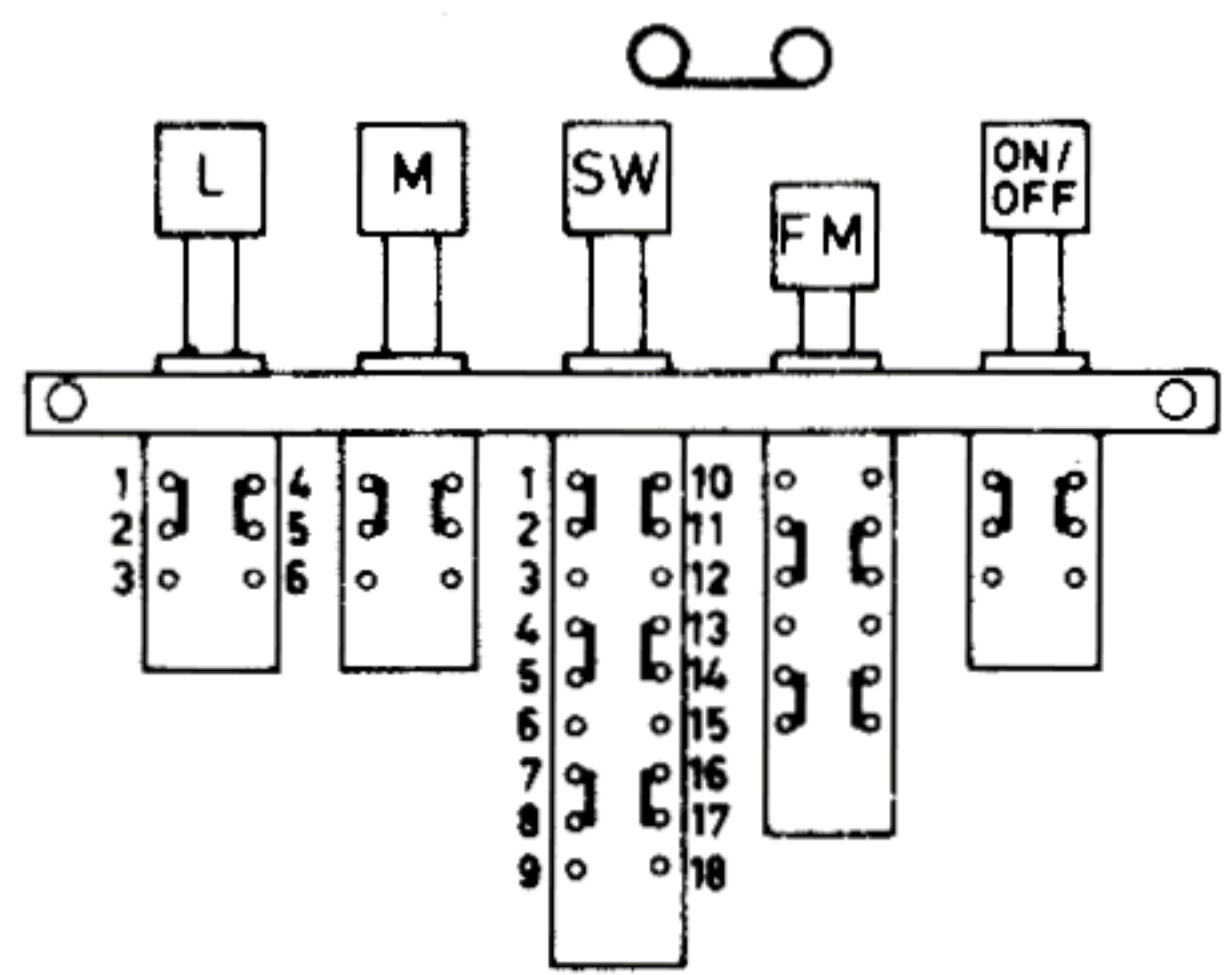


(R336) DRIVE CORD — MODEL 'PINTO'



R337a R337b

SWITCH CONTACTS SHOWN IN FM POSITION



(R337a) CIRCUIT DIAGRAM - MODEL 'PINTO' (Part)

(R337b) CIRCUIT DIAGRAM - MODEL 'PINTO' (Continued)