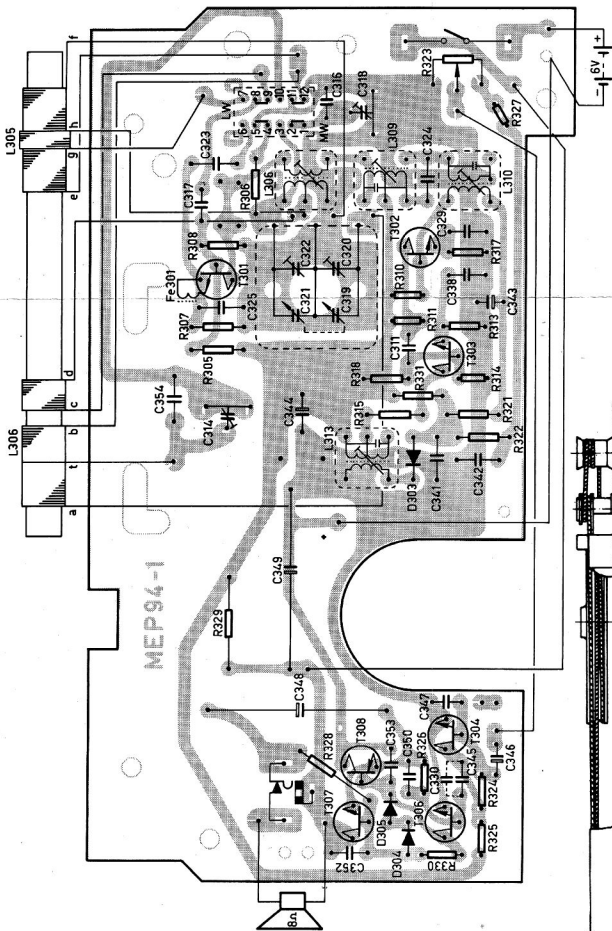


Technical Data

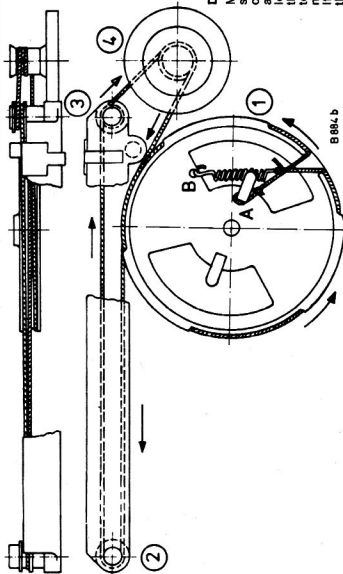
Battery voltage	6 V - (4 x 1.5 V IEC R 6)
Circuits	AM 5
Transistors	7
Diodes	3
Wave bands	LW 145 - 280 kHz / 1152 - 2068 m
	MW 525 - 1620 kHz / 185 - 571 m

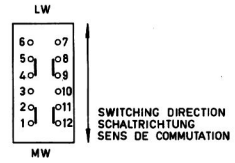
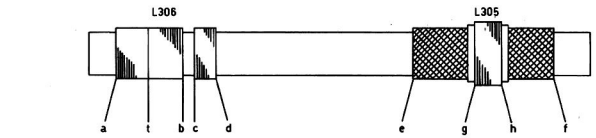
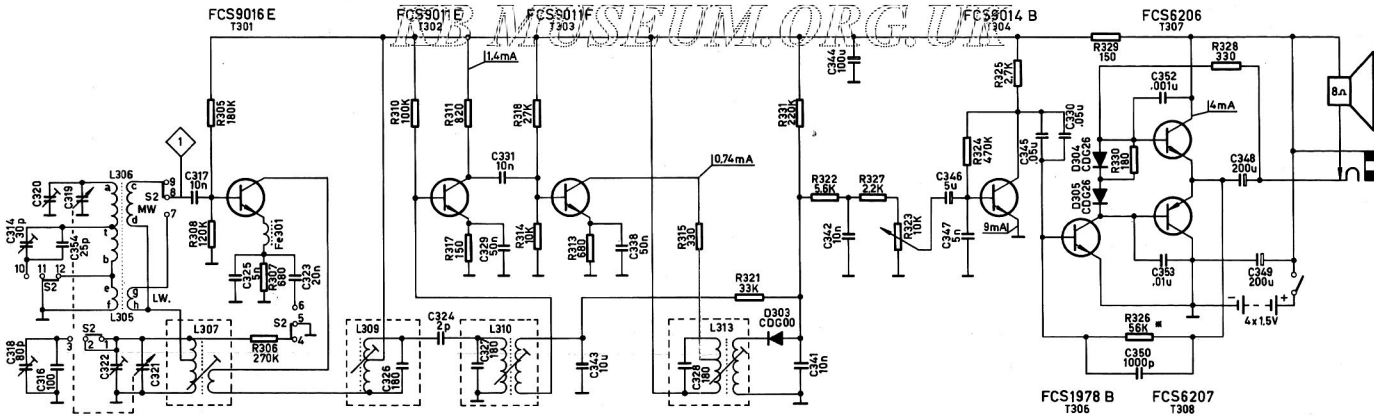
IF	470 kHz
Output	400 mW
Loudspeaker	6 x 9 cm; 8 Ohm
Weight	0.5 kg with batteries
Cabinet dimensions	Width 164 mm, Height 92 mm, Depth 47 mm



Drive Cord Assembly

Mount the drive drum on the tuning capacitor shaft in the position shown in the diagram. Turn the dial cord clockwise as shown in the diagram. Hook the dial cord with one loop on the drive drum (1) at 'A'. Pass the cord through the notch and after 1/2 turn around (2) the tuning capacitor. Lead the dial cord around (3) up to the tuning knob (4) and around it. After 2 1/2 turns, lead the cord to the drive drum (5), where after 1/2 turn it is passed through the notch and hooked with the spring on to the drive drum at point 'B'. If necessary, untie the knot at the spring, stretch the spring, and tie the knot again.





* R326 47K FOR T306 FCS1978 A
 R326 56K FOR T306 FCS1978 B

T301, T306,
 T302, T307,
 T303, T308,
 T304.



WELLENBEREICHE WAVE BANDS	
LW	145 - 260 kHz
MW	2068 - 1152 m
MW	525 - 1620 kHz
MW	571 - 185 m