

I.T.T./K.B.

# Model 'Junior 21'

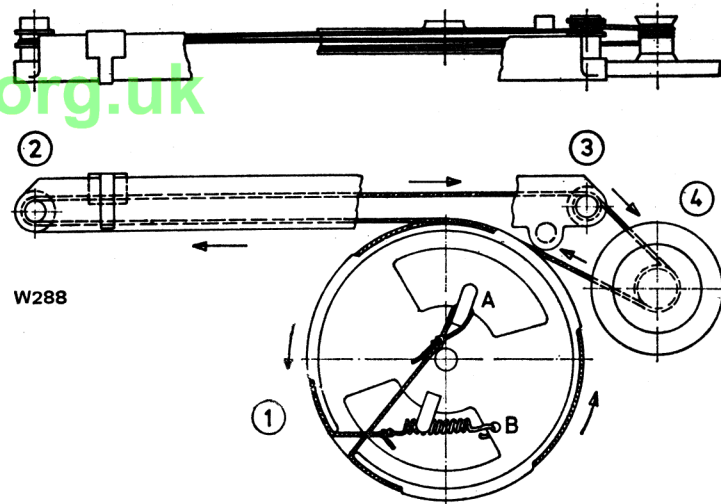
**General Description:** A portable two-waveband A.M. battery-operated radio with a socket provided for the connection of an earphone.

**Wavebands:** L.W. 145-1,260kHz; M.W. 525-1,620kHz.

**Batteries:** 6V (4 × 1.5V).

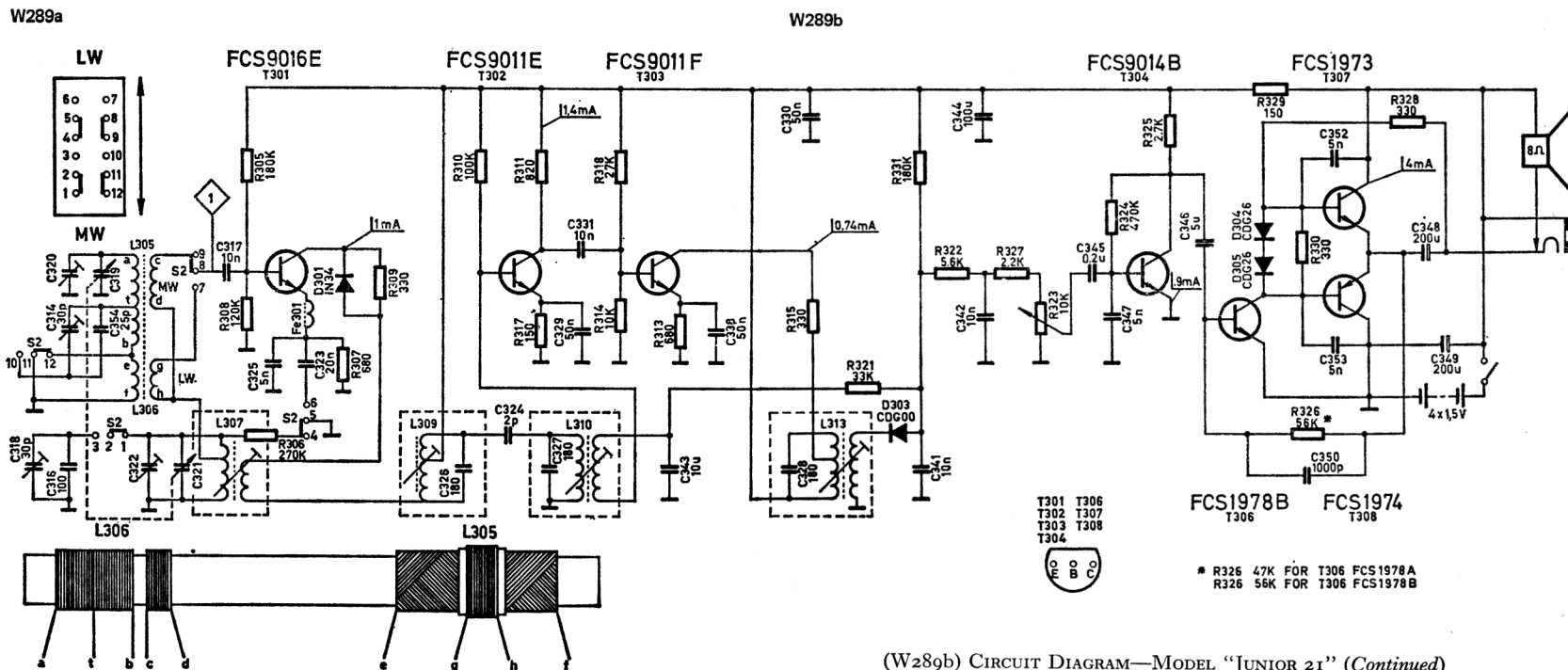
**Loudspeaker:** 8Ω impedance.

**Drive Cord Replacement** (see Fig. W288): Mount the drive drum on the tuning capacitor shaft in the position shown in the figure (with the tuning capacitor turned fully anticlockwise). Hook the dial cord with one loop on the drive drum 1 at "A". Pass the cord through the notch and after half turn around 1 lead it around the pulley 2. Lead the dial cord around 3 up to the tuning knob 4 and after two and a half turns around 4 lead the cord up to the drive drum 1, where after half turn it is passed through the notch and hooked with the spring onto the drive drum at point "B". If necessary, untie the knot at the spring, stretch the spring, and tie the knot again.



(W288) DRIVE CORD—MODEL "JUNIOR 21"

(W289a) CIRCUIT DIAGRAM—MODEL "JUNIOR 21" (Part)



(W289b) CIRCUIT DIAGRAM—MODEL "JUNIOR 21" (Continued)