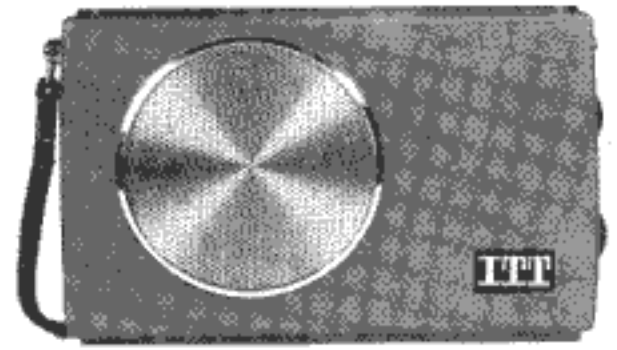




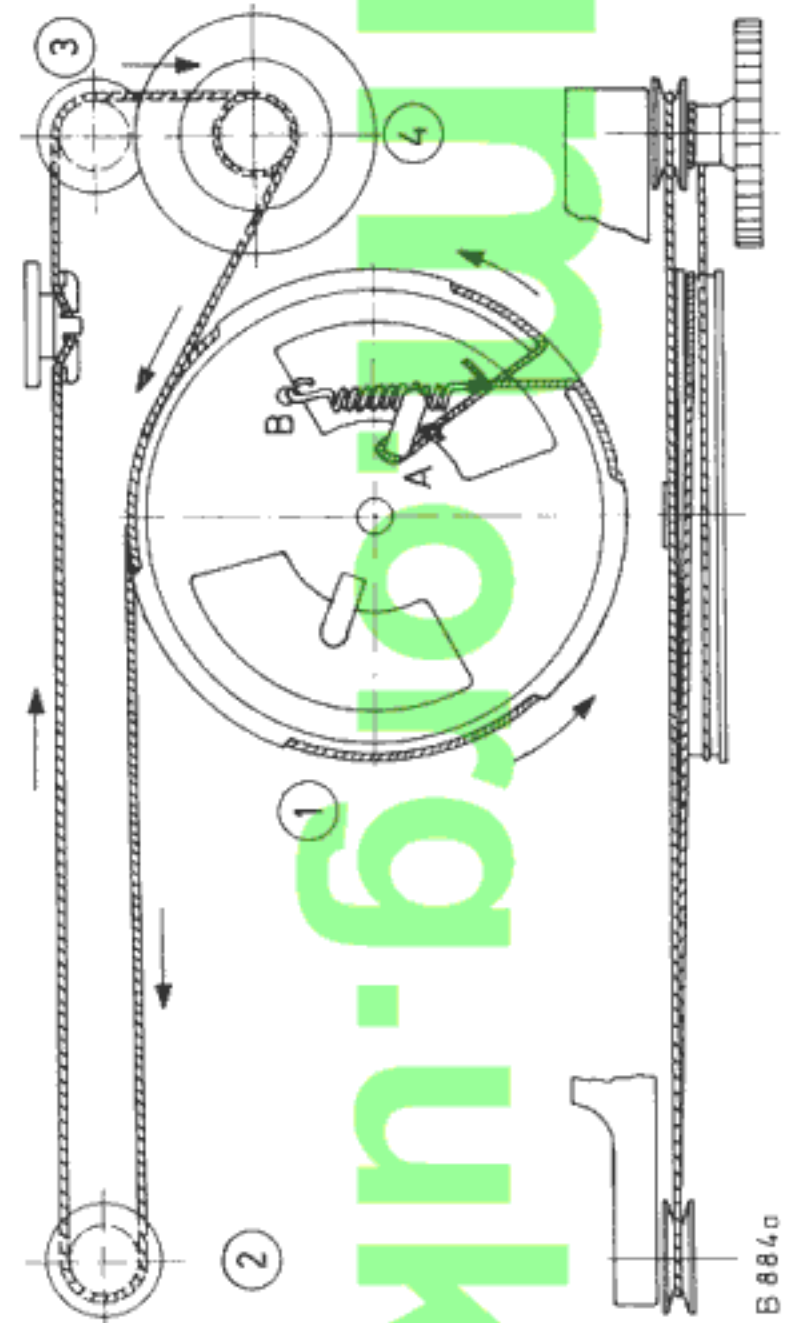
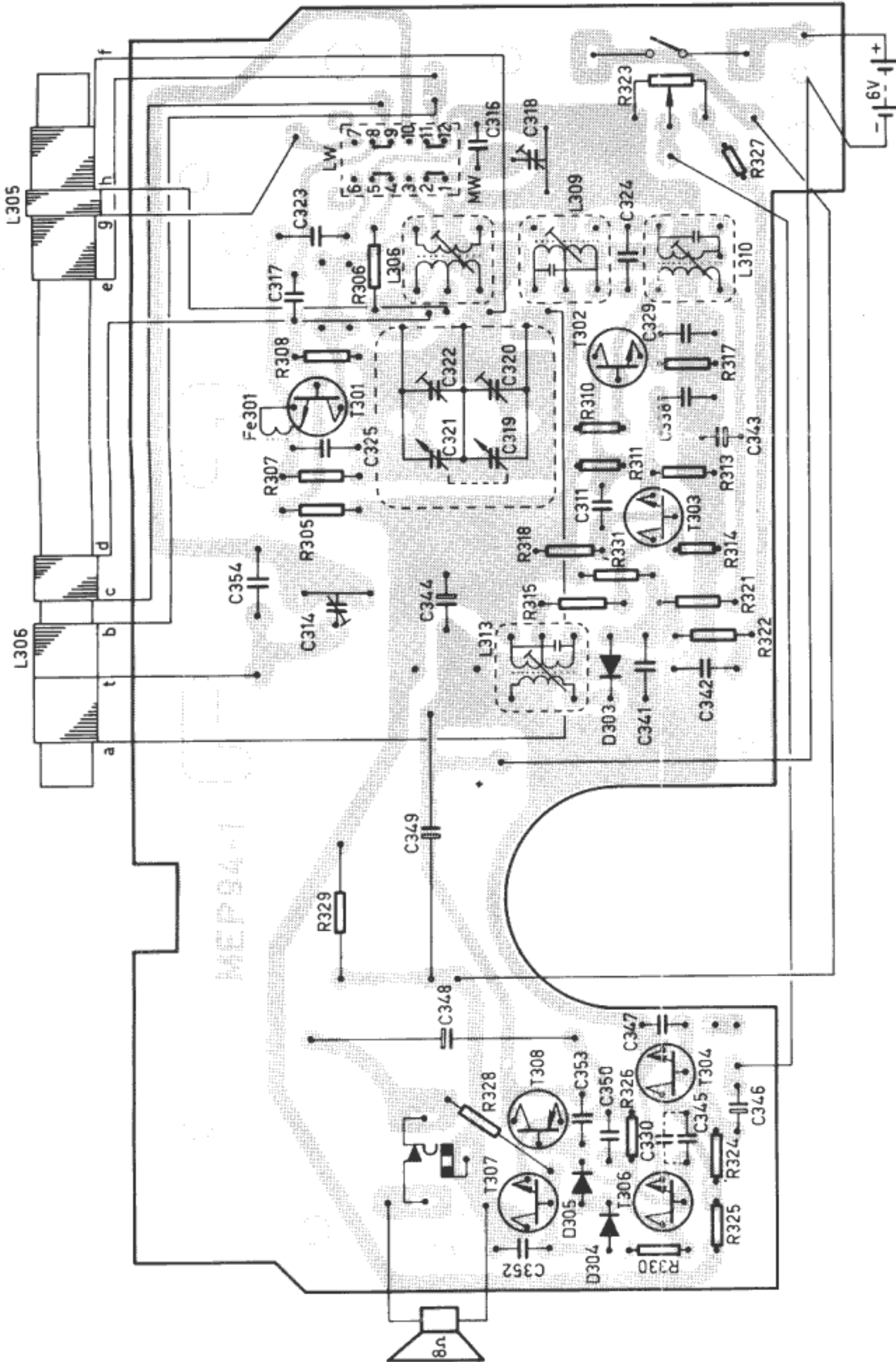
SERVICE-INFORMATION

FLIRT 100

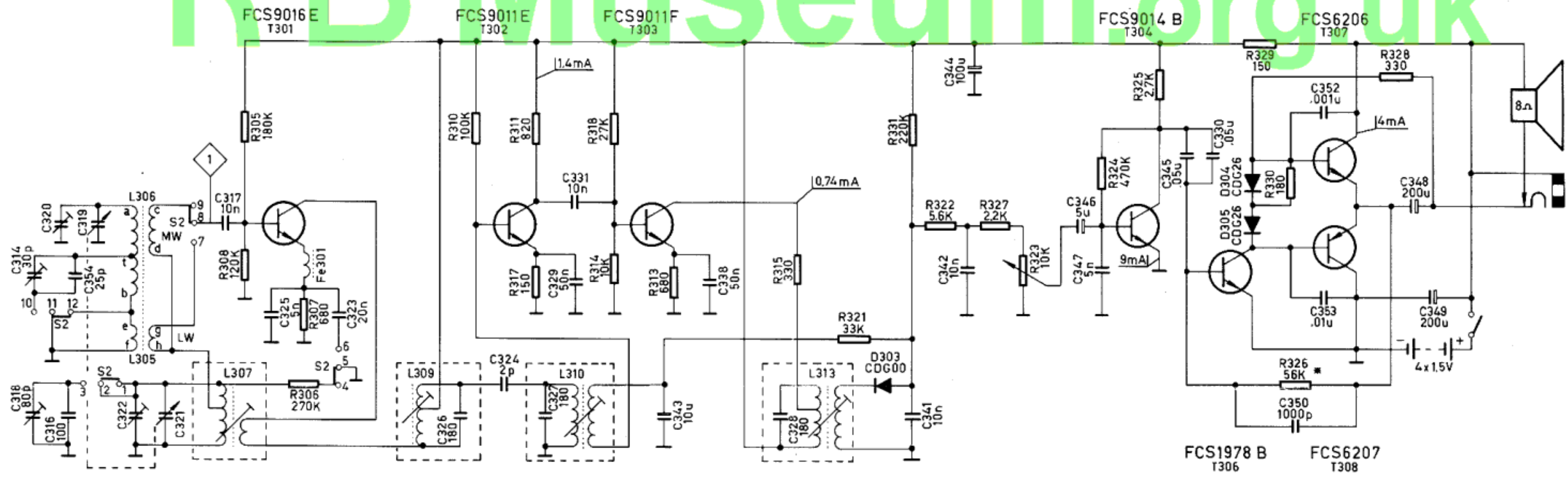


Technical Data

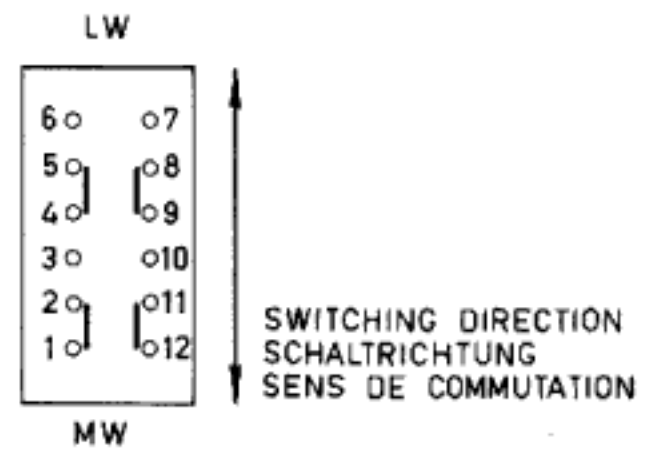
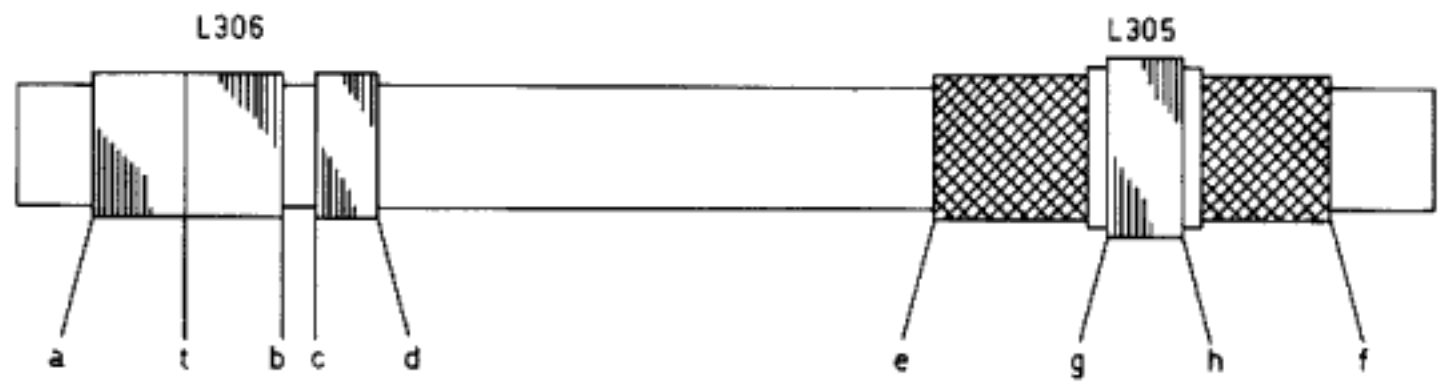
Battery voltage	6 V- (4 x 1.5 V IEC R 6)	IF	470 kHz
Circuits	AM 5	Output	400 mW
Transistors	7	Loudspeaker	6 x 9 cm; 8 Ohm
Diodes	3	Weight	0.5 kg with batteries
Wave bands	LW 145 - 260 kHz / 1152 - 2068 m MW 525 - 1620 kHz / 185 - 571 m	Cabinet dimensions	Width 164 mm, Height 92 mm, Depth 47 mm



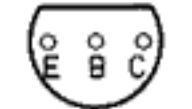
Drive Cord Assembly
Mount the drive drum on the tuning capacitor shaft in the position shown in the figure (with the tuning capacitor turned fully anti-clockwise). Hook the dial cord with one loop on the drive drum ① at "A". Pass the cord through the notch and after 1/2 turn around ② lead it around the pulley ③. Lead the dial cord around ④ up to the tuning knob ④ and after 2 1/2 turns around ④ lead the cord up to the drive drum ①, where after 1/2 turn it is passed through the notch and hooked with the spring on to the drive drum at point "B". If necessary, untie the knot at the spring, stretch the spring, and tie the knot again.



* R326 47K FOR T306 FCS 1978 A
 R326 56K FOR T306 FCS 1978 B



T301, T306.
 T302, T307.
 T303, T308.
 T304.



WELLENBEREICHE WAVE BANDS	
LW	145 - 260 kHz 2068 - 1152 m
MW	525 - 1620 kHz 571 - 185 m