

ITT

SERVICE INFORMATION

ITT Museum.org.uk

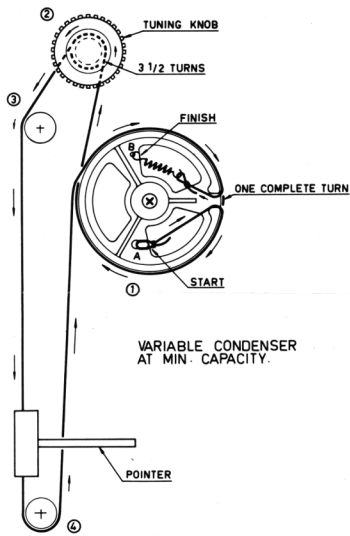
COMBAT



Technical Data

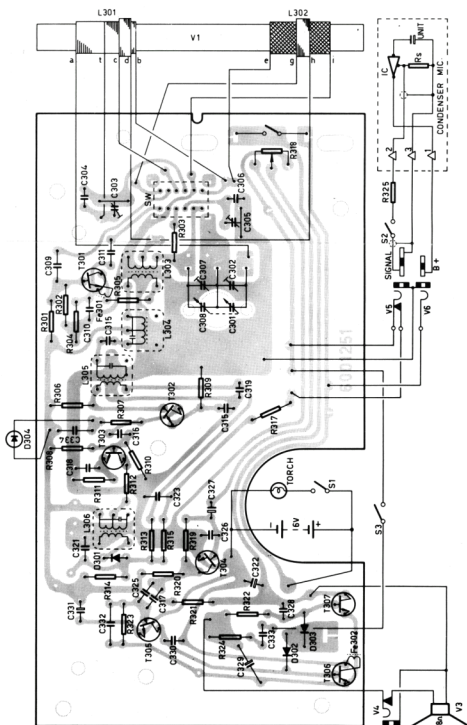
Battery voltage 6V- (4x 1.5V SP11)
 Circuits AM 5
 Transistors 7
 Diodes 3
 L. E. D. 1
 Wave bands LW 145 - 260kHz/1152 - 2068m
 MW 525-1620kHz/ 185 - 571m

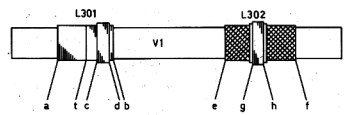
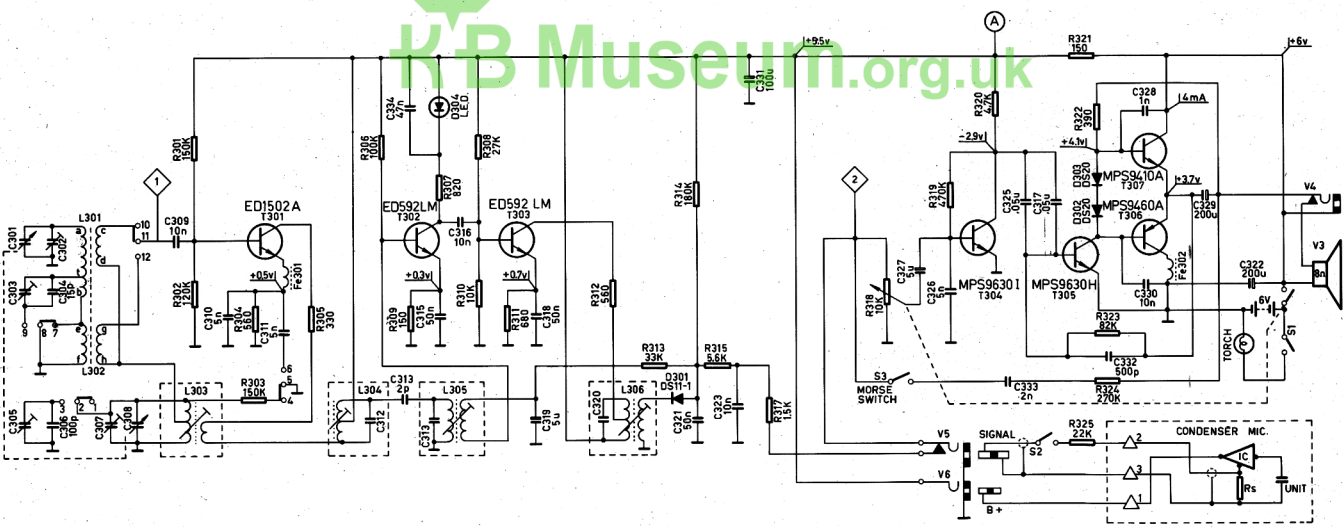
IF 470 kHz
 Output 360mW ± 1dB for 10% THD into 8 Ohm
 Loudspeaker 6 x 9 cm; 8 Ohm
 Weight 0.68kg (1 lb. 8 oz.)
 Cabinet dimensions 4 7/8" (125mm), 6 3/4" (173mm), 2 1/8" (65mm),
 W x H x D



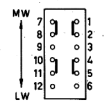
Drive Cord Assembly

Mount the drive drum on the tuning shaft in the position shown in the figure (with the tuning capacitor turned fully clockwise). Hook the dial cord with one loop on the drive drum (1) at "A". Pass the cord through the notch and after 1/2 turn around (1) lead it up to the tuning knob (2), after 3 1/2 turns around (2), lead it around the pulleys (3) and (4) and lead the dial cord up to the drive drum (1), where after 1 turn it is passed through the notch and hooked with the spring on the drive drum at point "B". If necessary, untie the knot at the spring, stretch the spring, and tie the knot again.





SWITCHING DIRECTION
SCHALTTRICHTUNG
SENS DE COMMUTATION



WELLENBEREICHE WAVE BANDS	
LW	145 - 260 kHz
	2068 - 1152 m
MW	525 - 1620 kHz
	571 - 185 m

ALLE ⊕ SPANNUNGEN GEGEN ⊥ GEMESSEN
ALL ⊕ VOLTAGES MEASURED TO ⊥
ALLE ⊖ SPANNUNGEN GEGEN ⊕ GEMESSEN
ALL ⊖ VOLTAGES MEASURED TO ⊕