

Top front. Take out six screws and four clips after removing R.F.-I.F. chassis; prise the front edge of scale from cabinet, then gently ease back edge clear of cabinet.

Angled acrylic scale. Remove two screws securing scale to moulded chassis taking care not to lose two fibre spacers, then slide scale clear of chassis moulding.

Record Changer Removal: Unplug pick-up and motor connectors. Screw transit screws fully in, pivot clips on transit screws and lift out changer.

Stylus Replacement: The complete stylus assembly (red section) can be pulled free of the cartridge by a gentle forward movement. To fit a new stylus assembly, engage the locator within the cartridge tunnel before gently pushing assembly into position.

I.T.T./K.B.

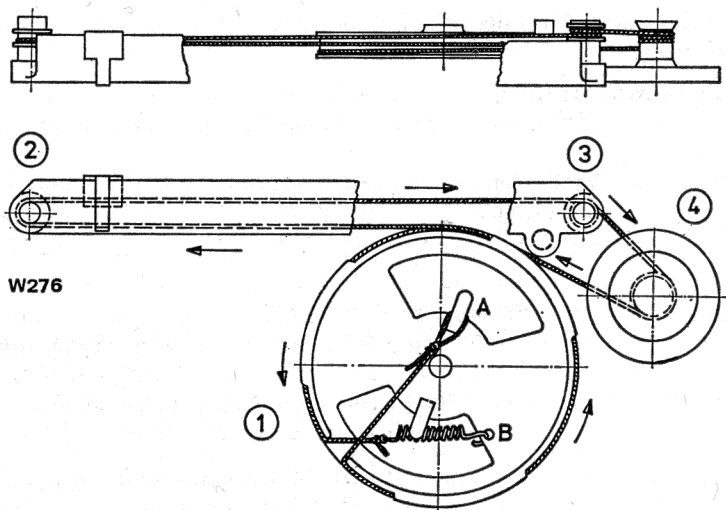
Model KR 607 'Jet-Set'

General Description: This model is electrically similar to the R.G.D. Model R150 which is described elsewhere in this volume.

I.T.T./K.B.

Model 'Colt'

General Description: A portable three-waveband A.M./F.M. battery-operated radio with sockets provided for the connection of an earphone and external power supplies.

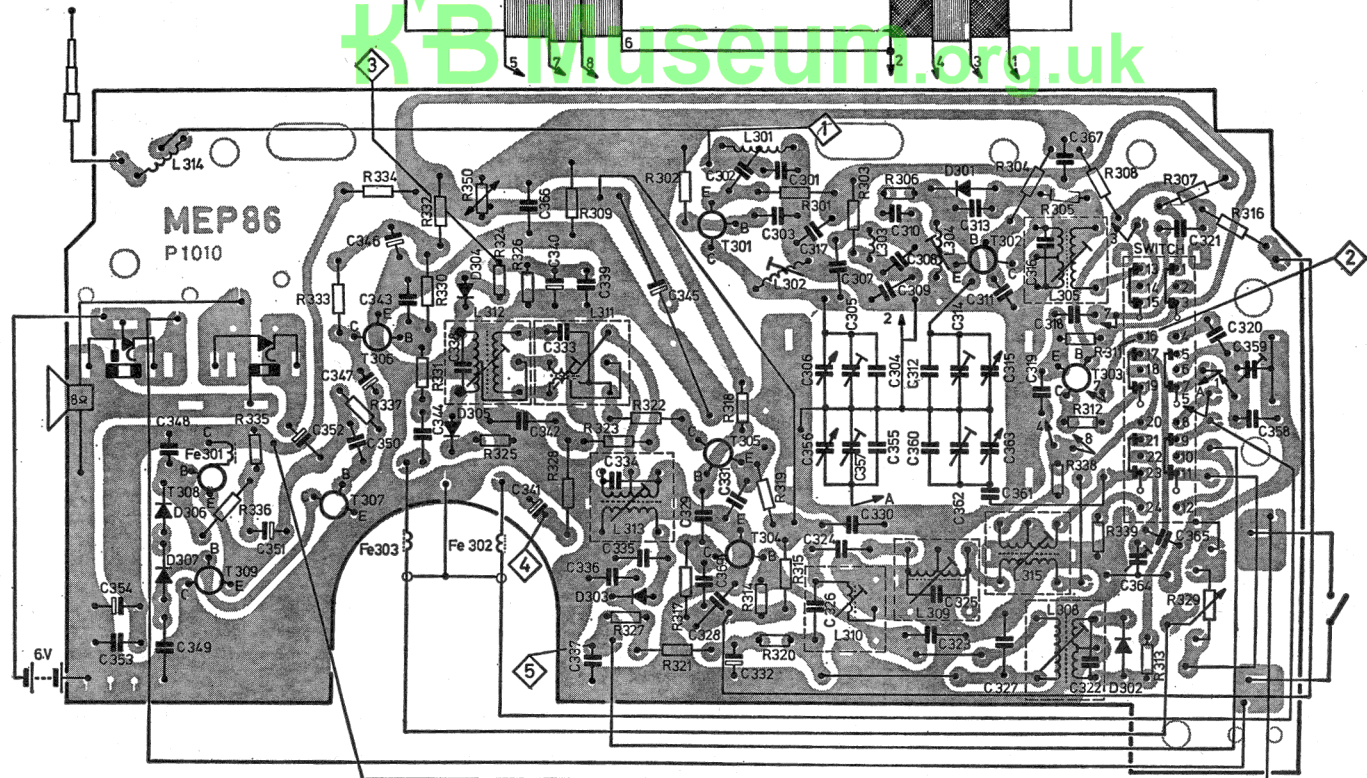
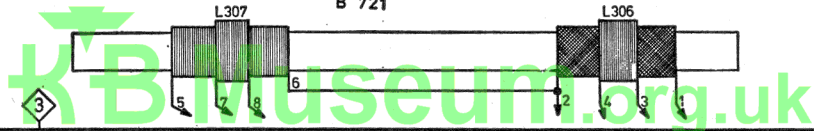


W276

(W276) DRIVE CORD—MODEL 'COLT'

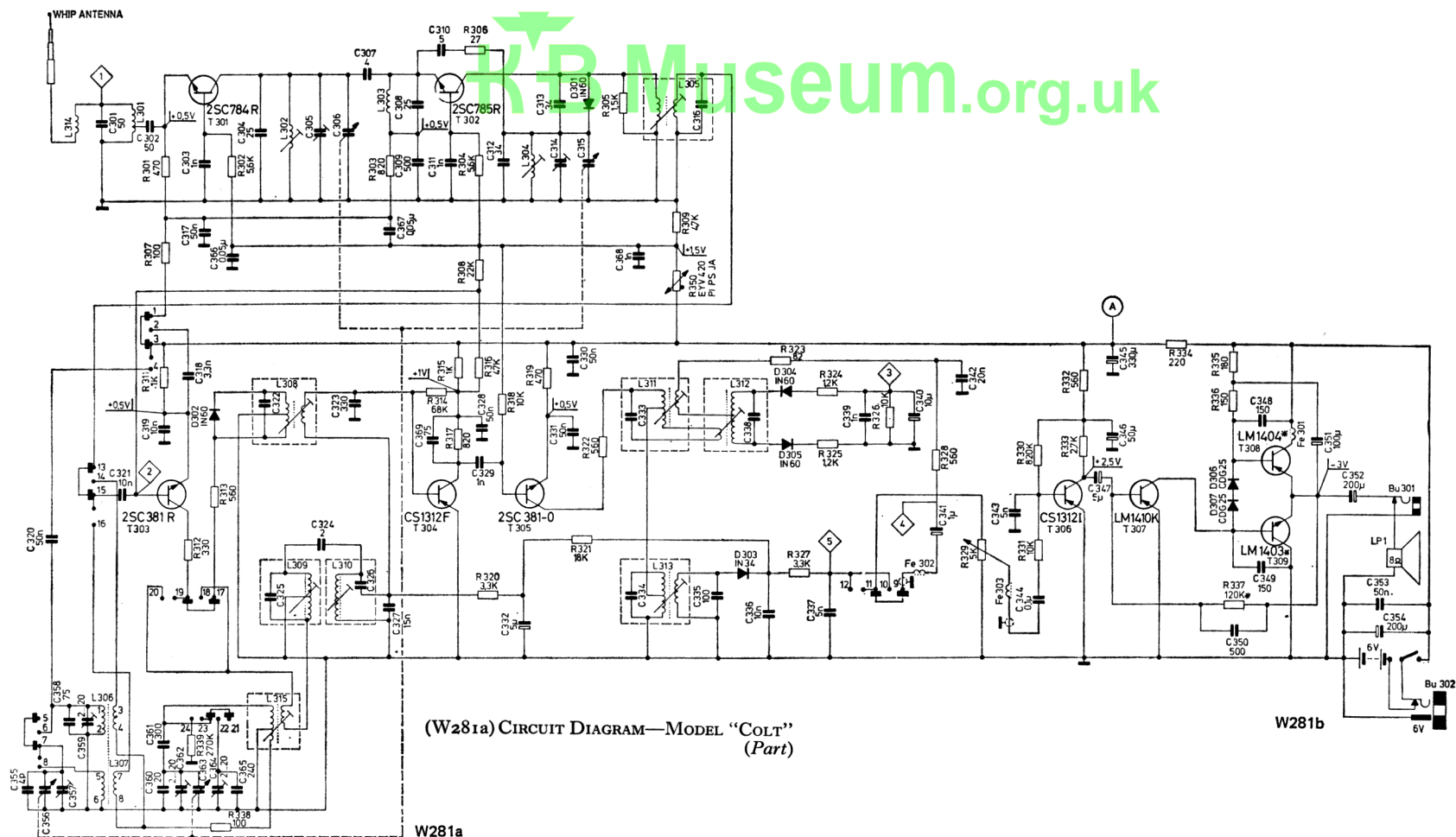
W280

B 721



(W280) COMPONENT LAYOUT—MODEL "COLT"

I.T.T./K.B.



(W281a) CIRCUIT DIAGRAM—MODEL "COLT"
(Part)

W281b

W281a