

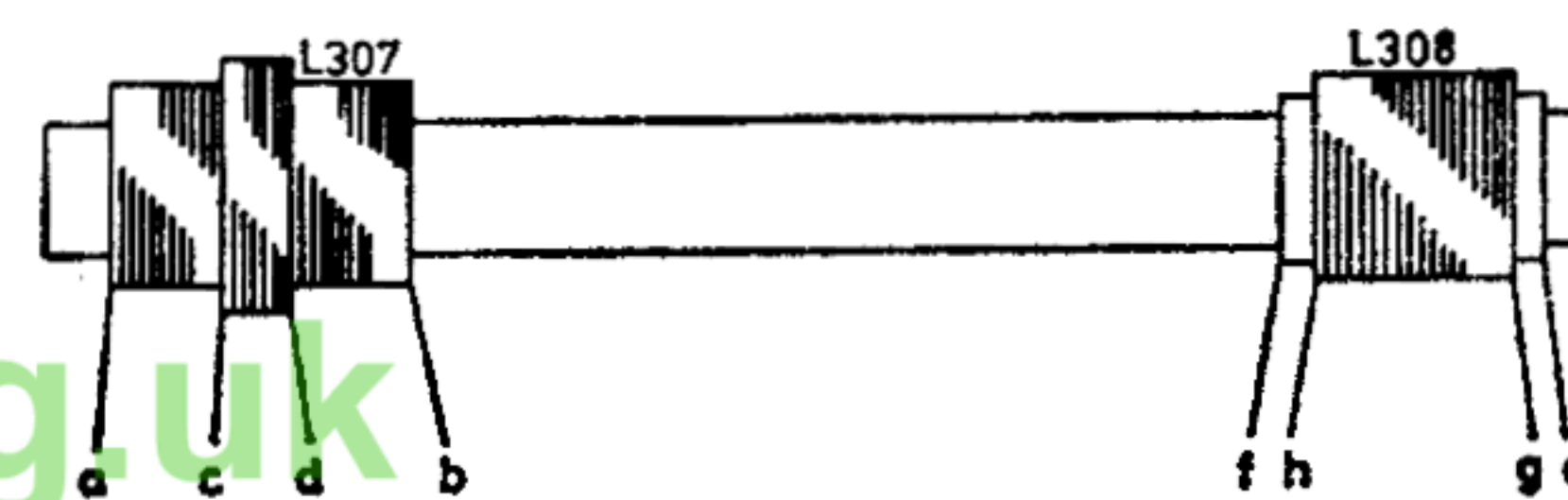
# Model 'Weekend' Automatic

**General Description:** A portable four-waveband A.M./F.M. mains or battery-operated radio with sockets provided for the connection of a tape recorder input/output, earphones and external power supplies.

**Mains Supply:** 240 V, A.C.

**Batteries:** 9 V (6 × 1.5 V).

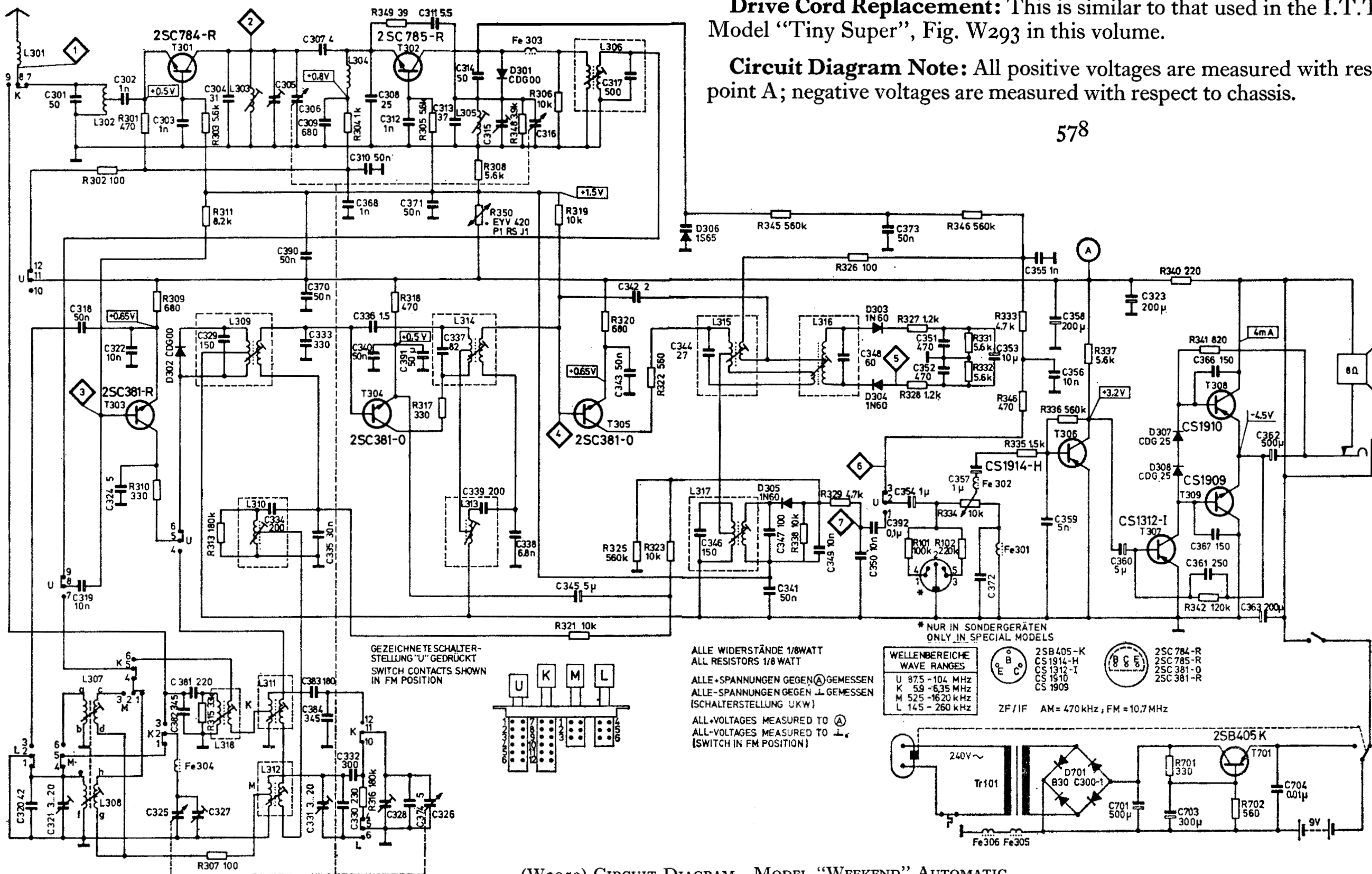
**Loudspeaker:** 8 Ω impedance.



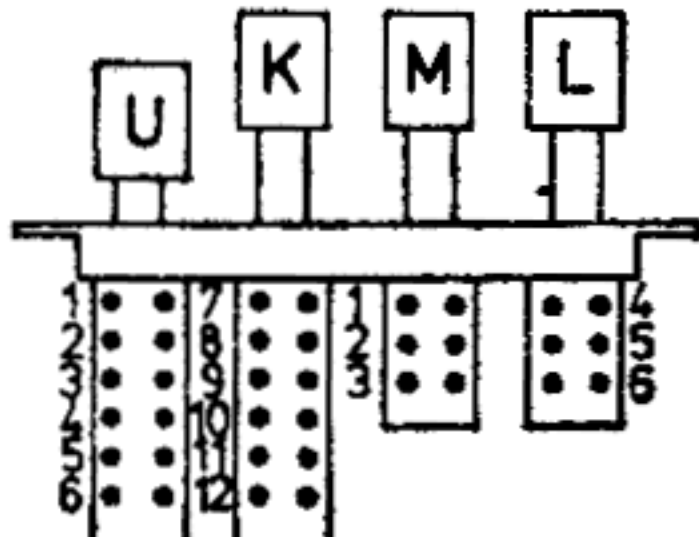
**Drive Cord Replacement:** This is similar to that used in the I.T.T./K.B. Model "Tiny Super", Fig. W293 in this volume.

**Circuit Diagram Note:** All positive voltages are measured with respect to point A; negative voltages are measured with respect to chassis.

578



GEZEICHNETE SCHALTERSTELLUNG "U" GEDRÜCKT  
SWITCH CONTACTS SHOWN IN FM POSITION



ALLE WIDERSTÄNDE 1/8WATT  
ALL RESISTORS 1/8 WATT

ALLE +SPANNUNGEN GEGEN Ⓐ GEMESSEN  
ALLE -SPANNUNGEN GEGEN ⊥ GEMESSEN  
(SCHALTERSTELLUNG UKW)

ALL +VOLTAGES MEASURED TO Ⓐ  
ALL -VOLTAGES MEASURED TO ⊥  
(SWITCH IN FM POSITION)

WELLENBEREICHE WAVE RANGES	2SB405-K	2SC784-R
U 875 - 104 MHz	CS1914-H	2SC785-R
K 59 - 635 MHz	CS1312-I	2SC381-O
M 525 - 1620 kHz	CS1910	2SC381-R
L 145 - 260 kHz	CS1909	

ZF / IF AM = 470 kHz, FM = 10.7 MHz

