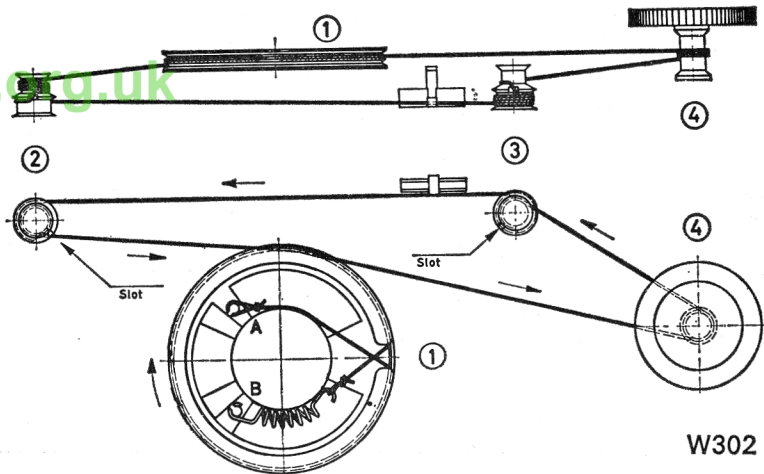


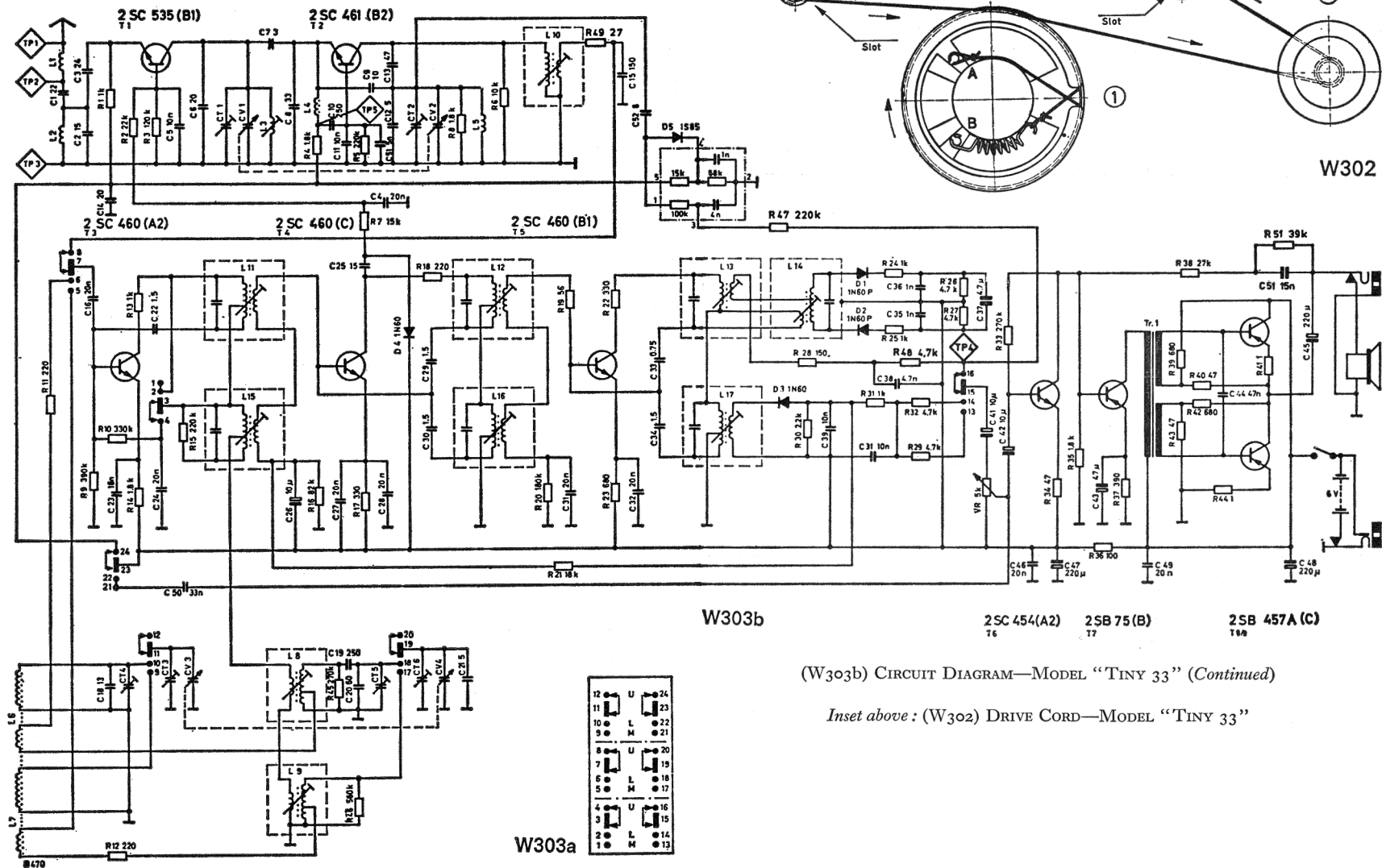
I.T.T./K.B.

Model Tiny 33

General Description: A portable transistor radio for the reception of A.M. and F.M. transmissions, fitted with sockets for the connection of external power supplies and an earphone. A telescopic aerial is provided for pick-up of V.H.F. signals.



W302



(W303a) CIRCUIT DIAGRAM—MODEL "TINY 33" (Part)

(W303b) CIRCUIT DIAGRAM—MODEL "TINY 33" (Continued)

Inset above: (W302) DRIVE CORD—MODEL "TINY 33"

Dial Cord Stringing: (See Fig. W302).—(Prepared dial cord 870mm without spring.)

Hook the dial cord with the loop on the tuning capacitor wheel **1** at "A". Lead the dial cord over the notch and after a $\frac{3}{4}$ turn clockwise up to the drive drum **4**. After $2\frac{1}{2}$ turns anticlockwise lead the cord up to the pulley **3**.

Lay the cord with a $\frac{2}{3}$ turn around the small section of the pulley (note position of the notch). Next, lead the cord over the notches and lay it with $4\frac{1}{2}$ turns around the large section.

Lead the cord up to the pulley **2** and, after a $\frac{2}{3}$ turn anticlockwise (note position of notch!) around the larger section, lead the cord over the notches and after $4\frac{2}{3}$ turns around the smaller section lead it up to tuning capacitor wheel **1**. After leading the cord over the notches, hook on the cord with spring at "B".

MARCONIPHONE

Model 4045

General Description: This model is electrically similar to the Ferguson Model 3045 which is described elsewhere in this volume.

MARCONIPHONE

Model 4179

General Description: This model is electrically similar to the Ferguson Model 3179 which is described elsewhere in this volume.

MARCONIPHONE

Models 4180, 4181

General Description (Model 4181): A portable radio providing reception of Long, Medium and V.H.F. wavebands. Circuit features include A.F.C. and ceramic I.F. filter on F.M. and an integrated circuit as A.F. power amplifier. Sockets are provided for the connection of tape, car aerial, earphone and external power supply. **Model 4180** is similar, with the omission of the A.F.C. switching facilities.

Batteries: 9 volts (6×1.5 volts, SP2).

Quiescent Current: 12 mA.

Loudspeaker: 5 ohms impedance.