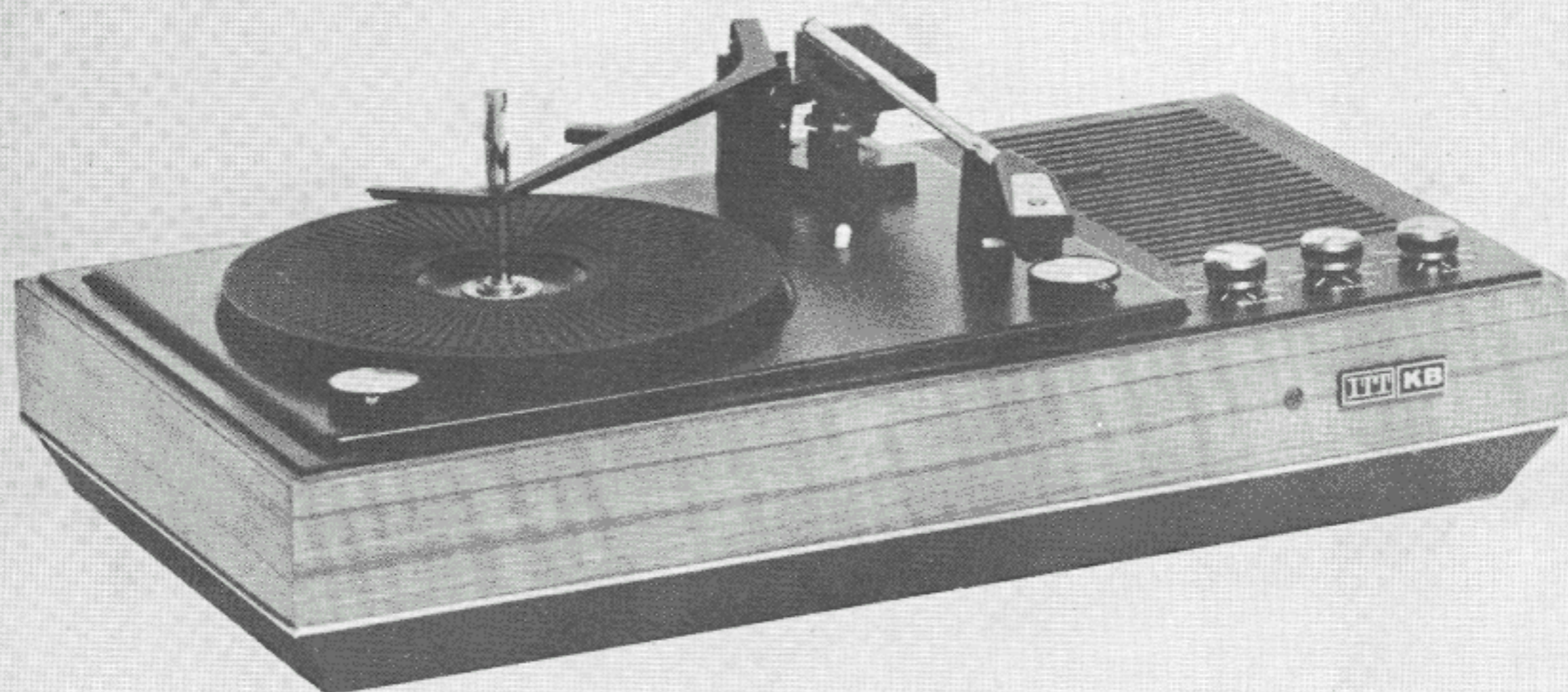


 KB Museum.org.uk



Service manual for KB record player Model KP049

ITT Consumer Products Services Ltd.
FOOTSCRAY, SIDCUP, KENT
01-300 7733
32 Milton Road, East Kilbride, Glasgow
0355-2-25101

ITT

CIRCUIT DESCRIPTION

The signal from the cartridge passes first to the bass control which functions by resistively loading the capacitive source. The treble control cuts high frequencies when the slider is towards the end of the control connected to R4. The signal is applied to the volume control R5 and then onto the input of TX1 which is high impedance. The amplified signal then passes to TX2 which drives the output stage. This stage consists of two transistors TX3 and TX4 operating in complementary symmetry. They function in the common emitter mode because R15 is connected to the live terminal of the load.

D.C. and a.c. feedback is applied via R11 from the output to the emitter of TX1. A large amount of d.c. feedback is applied to eliminate the need for any adjustment for correct working conditions.

The a.c. feedback is controlled by the networks R10, C5 and R11, R12, C6. R12 and C6 also provide some low frequency compensation.

TO GAIN ACCESS TO THE CHASSIS

Place the unit up-side-down and either rest it carefully against the record-playing unit centre spindle, or fit it into its lid, placed up-side-down on a cloth. Remove the four screws in the four feet, and lift up the base of the cabinet.

When refitting the base, ensure that the loudspeaker is correctly located by its two rivets.

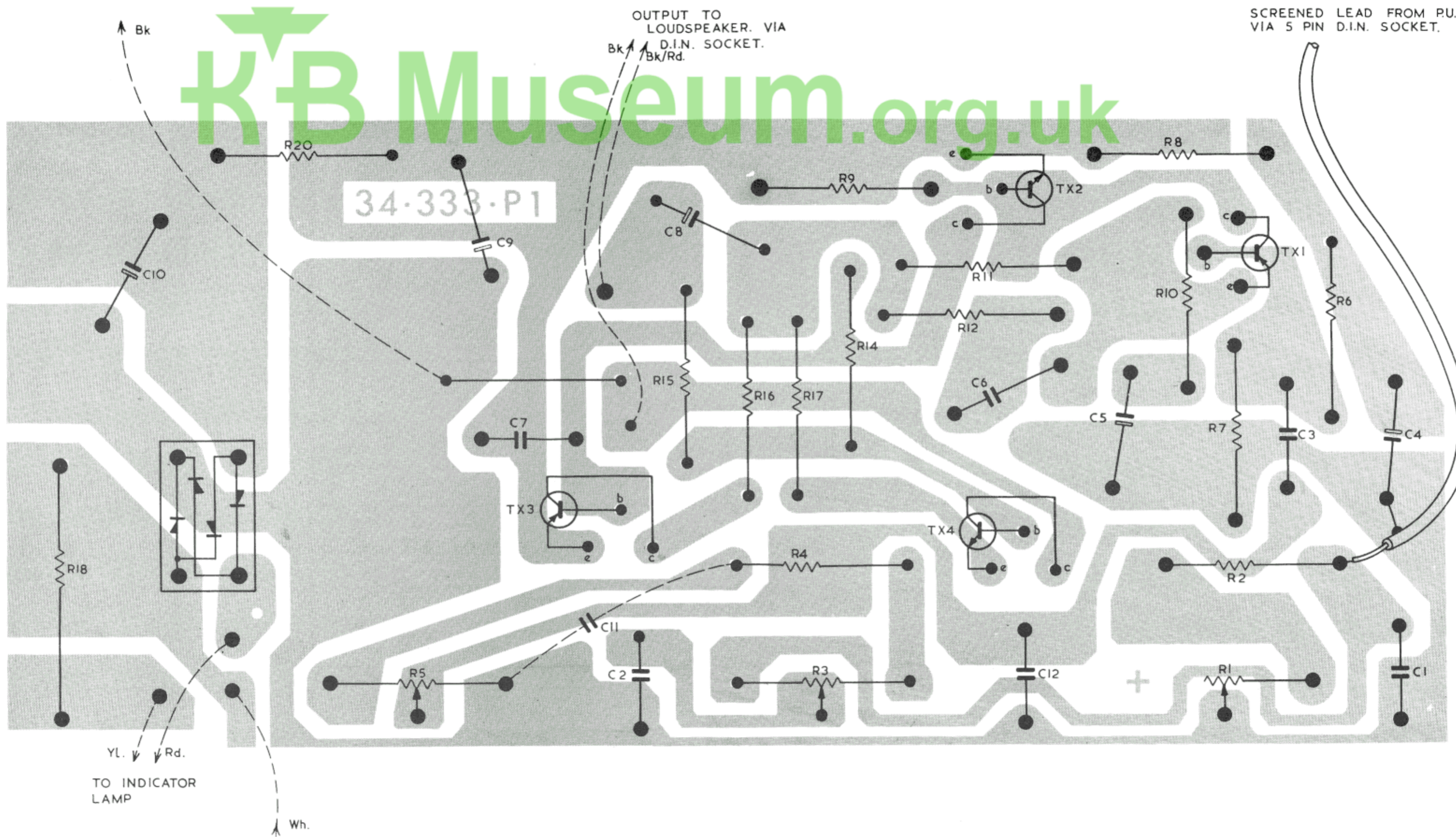
TO SOLDER TAG ON CHASSIS
AND MAINS EARTH.

OUTPUT TO
LOUDSPEAKER. VIA
D.I.N. SOCKET.
Bk/Rd.

SCREENED LEAD FROM P.U.
VIA 5 PIN D.I.N. SOCKET.

KB Museum.org.uk

34-333-P1



Yl. ↓
Rd. ↓
TO INDICATOR
LAMP

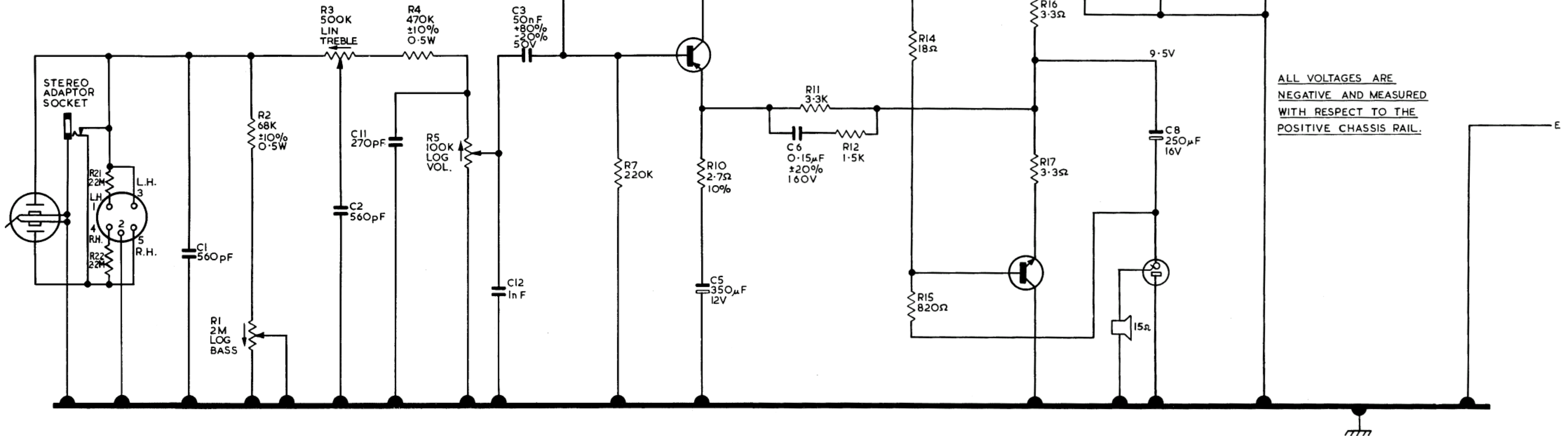
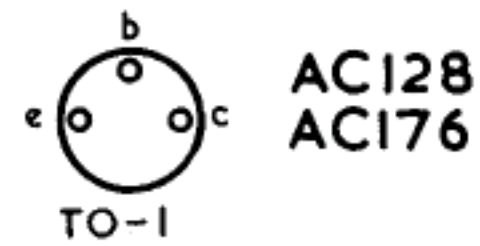
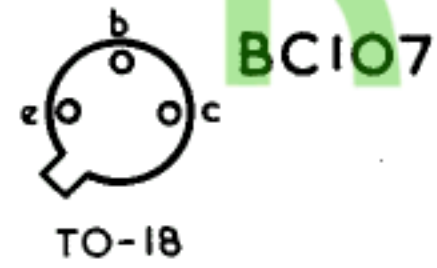
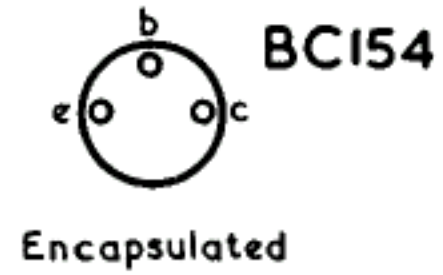
FROM 200mA FUSE

Wh.

+

UNLESS OTHERWISE STATED
 ALL RESISTORS 5% 1/4 W
 ALL CAPACITORS 10%
 EXCEPT ELECTROLYTICS
 AND WHERE STATED.

TRANSISTOR BASE CONNECTIONS



ALL VOLTAGES ARE
 NEGATIVE AND MEASURED
 WITH RESPECT TO THE
 POSITIVE CHASSIS RAIL.

DIRECTION OF ARROW BY POTENTIOMETER
 INDICATES CLOCKWISE ROTATION OF SHAFT

TX4
 AC176

CIRCUIT DIAGRAM

KP049

KP049 SPARE PARTS LIST

DESCRIPTION

Circuit Ref.

Part/Loc. Number

Cabinet		1580/220/21086
Motorboard		34/305/15002
Indicator lens		35/547/12201
ITT-KB badge		21/200/13130
Record changer BSR AA50		37/65/19052
Cartridge SX5M		SX5M/19069
Stylus, sapphire		SX5M/S/19058
Speaker (155mm x 105mm) Impedance 15 ohms		11/205/03038
Fuse 160mA delay		13/57/15/23068
Fuse 200mA delay		13/57/5/23049
Knob assembly, 3 off		35/569/01009
5 pin DIN socket		13/437/25090
L.S. DIN socket		13/543/25210
Clips, fixing for DIN sockets, 2 off		4/327/X/20736
Jack socket		13/435/1/25364
Clips fixing for jack socket		4/105/20986
Lampholder		13/137/23043
Bulb, 6V 0.06A		13/542/12032
Fuse Panel		13/481/3/15110
Perspex cover		34/299/21026

Volume control 100K.ohm log. d.p. switch	R5	9/387/02122
Treble control 500K.ohm lin.	R3	9/385/2/02066
Bass control 2 Meg. ohm log.	R1	9/385/1/02065
Rectifier WKA29 PM01B		14/52/12014
Double heat sink clip (For AC128/AC176)		4/250/20008
Double heat sink clip (For AC131/AC186)		4/339/20029
ELECTROLYTIC CAPACITORS		
50 mFd. 25V	C4	KEM265/08004
200mFd. 25V	C9, C10	KEM242/S/08235
250mFd. 16V	C8	KEM266/S/08652
350mFd. 12V	C5	KEM253/08006