

Wavebands: L.W. 145-260kHz; M.W. 525-1,605kHz; M.W. (preset), 100-1,605kHz; F.M. 87.5-104MHz.

Mains Supplies: 110-127, 220-240 V, A.C.

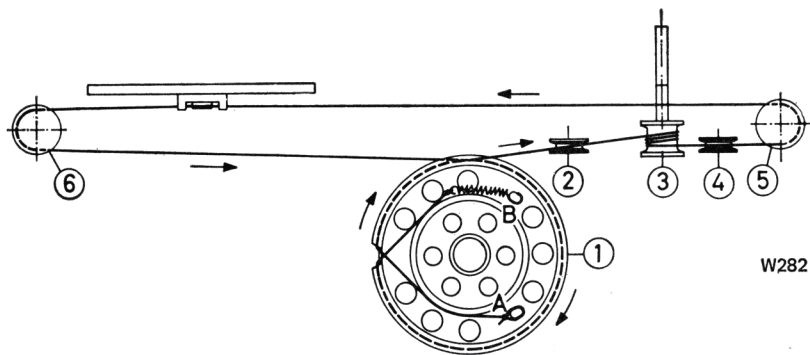
Battery: 9 V (PP9 or equivalent).

Loudspeaker: 4Ω impedance.

Drive Cord Replacement (see Fig. W282): Rotate the tuning capacitor fully clockwise. Hook the cord with a loop onto the drive drum 1 at point A. Pass the cord through the notch and after a quarter turn on 1 lead it over 2 up to 3. After three turns on 3 lead the cord around 4, 5 and 6. After a three-quarter turn on 1 pass the cord through the notch and hook it on with the spring at point B.

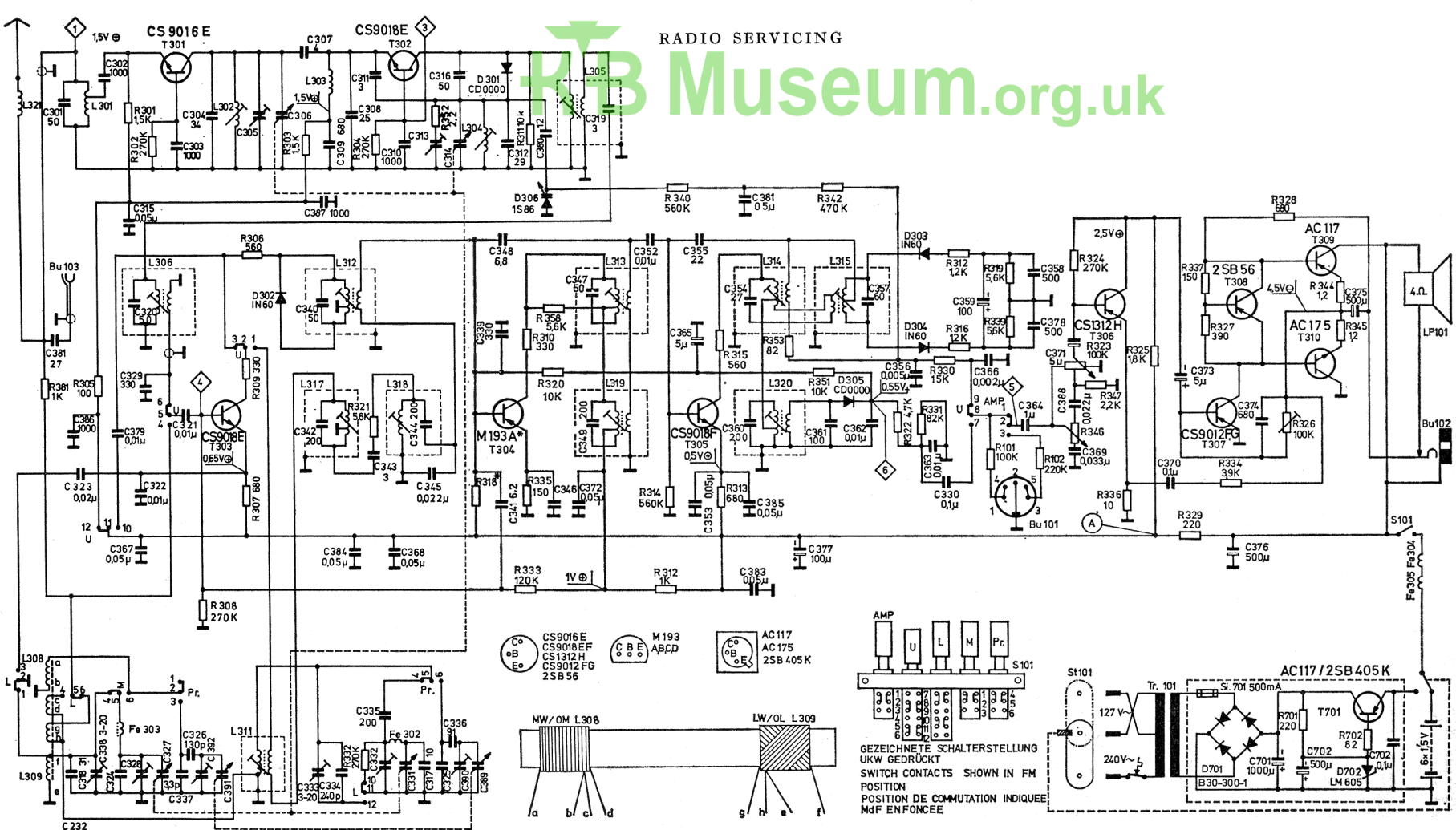
Adjustment: Set R326 for -4.5 V at the junction of R345/6.

Circuit Diagram Notes: All positive voltages are measured with respect to point A; negative voltages are measured with respect to chassis. The value of R318 may be 180k, 220k, 270k, or 330k.

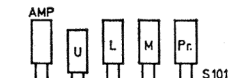
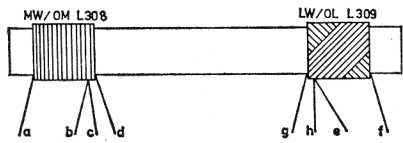


W282

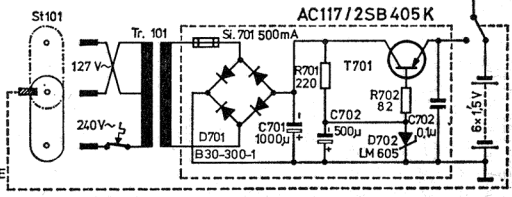
(W282) DRIVE CORD—MODEL "GOLF" PRESET



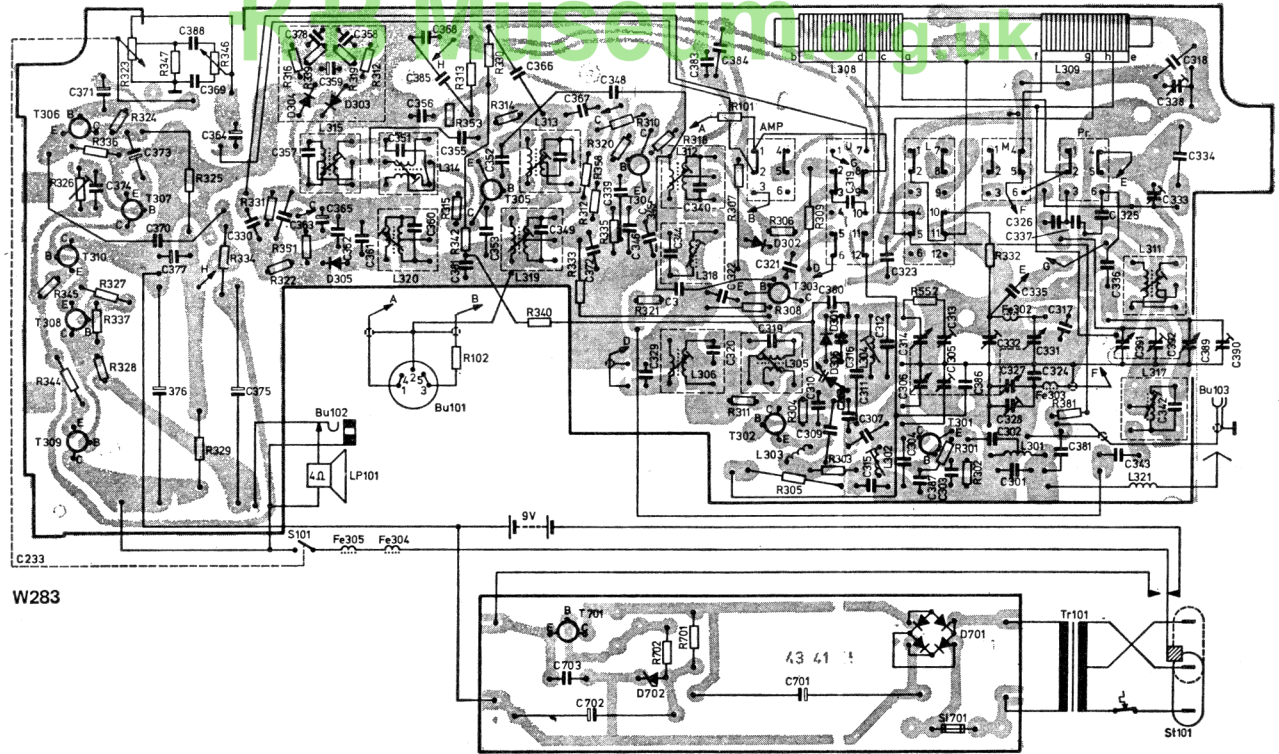
- CS9016E
- CS9018E
- CS9012FG
- CS9012H
- M193
- AC117
- AC175
- 2SB 405 K



GEZEICHNETE SCHALTERSTELLUNG
UKW GEDRÜCKT
SWITCH CONTACTS SHOWN IN FM
POSITION
POSITION DE COMMUTATION INDIQUEE
Mdf ENFONCÉE



519



W283

(W283) COMPONENT LAYOUT—MODEL "GOLF" PRESET

I.T.T./K.B.